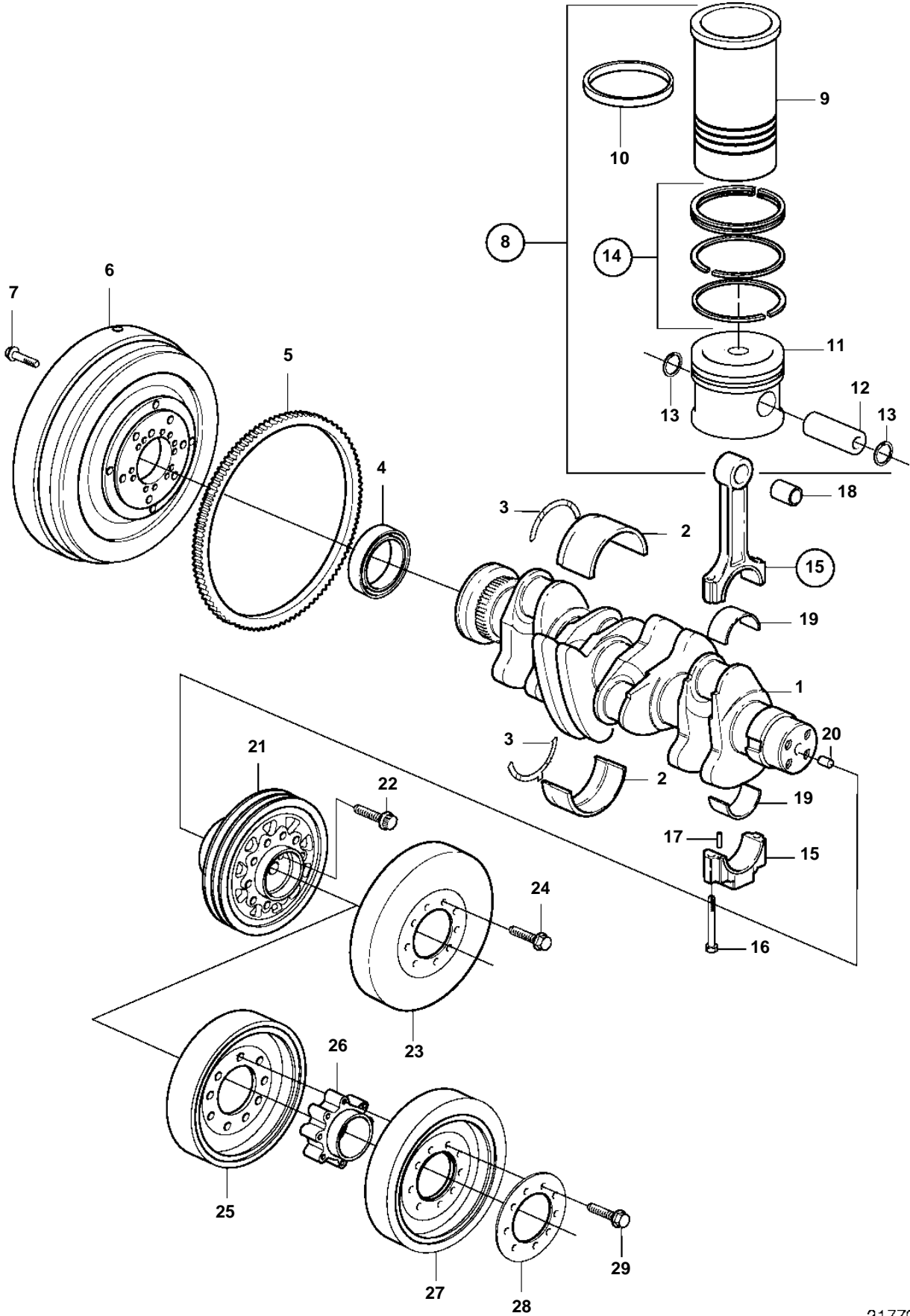


TAD720GE



## TAD720GE

REF	PART NO.	QTY	DESCRIPTION	SEE SEC.	NOTES
1	20412323	1	Crankshaft		SN-01064130
	20724015	1	Crankshaft		SN-01099467
	20790461	1	Crankshaft		SN-01099468
	20875042	1	Crankshaft		SN01099469-
2	20405516	7	Main bearing kit		STD
	20405529	7	Main bearing kit		U.S=0,25mm
	20405541	7	Main bearing kit		U.S=0,50mm
3	20405899	1	Thrust washer kit		STD
	11700315	1	Thrust washer kit		O.S=0,20mm (3.1mm)
4		1	Crankshaft seal	8435	
5		1	Gear ring		
6		1	Flywheel		
7		10	Screw		
8	877337	6	Cylinder liner kit		
9		6	· Cylinder liner		Marked: CP, on cylinder liner edge.
10	20412762	12	· O-ring		
11		6	· Piston		
12	20405577	6	· · Piston pin		
13	20405576	12	· · Lock ring		
14	20405571	6	· · Piston ring kit		
15	11700324	6	Connecting rod		Replaced by 20585982, SN-1099357
	20585982	6	Connecting rod		SN1099358-
16	11700326	12	· Screw		
17	20450823	6	· Pin		SN-1099357
	20459134	6	· Pin		SN1099358-
18	11700325	6	· Bushing		
19	20565150	6	Big end bearing kit		(11700316), SN-1099357, STD, Only for 11700324
	20717211	6	Big end bearing kit		Only for 11700324, SN-1099357, (11700317), U.S=0,25mm
	20565188	6	Big end bearing kit		(11700318), U.S=0,50mm, Only for 11700324, SN-1099357
	20766790	6	Big end bearing kit		STD, SN1099358-
	20790423	6	Big end bearing kit		SN1099358-, U.S=0,25mm
	20717211	6	Big end bearing kit		U.S=0,50mm, SN1099358-
20	20405634	1	Locating pin		18X24
21	20405725	1	V-belt pulley		Alternator dw/width 238,2/10., Pump dw/width 237,8/13., For fan mounted on coolant pump
22	20405724	4	Screw		
23	20412598	1	Vibration damper		(340x32), Tropical radiator (high air temperature).
24	888289	9	Screw		
25	20546792	1	Vibration damper		Twin vibration damper (248x32, 280x40), Standard radiator (normal air temperature)., (248x32)
26	20460799	1	Spacer		Twin vibration damper (248x32, 280x40)
27	20412424	1	Vibration damper		Standard radiator (normal air temperature)., (280x40), Twin vibration damper (248x32, 280x40)
28	20460800	1	Washer		
29	20460205	9	Screw		