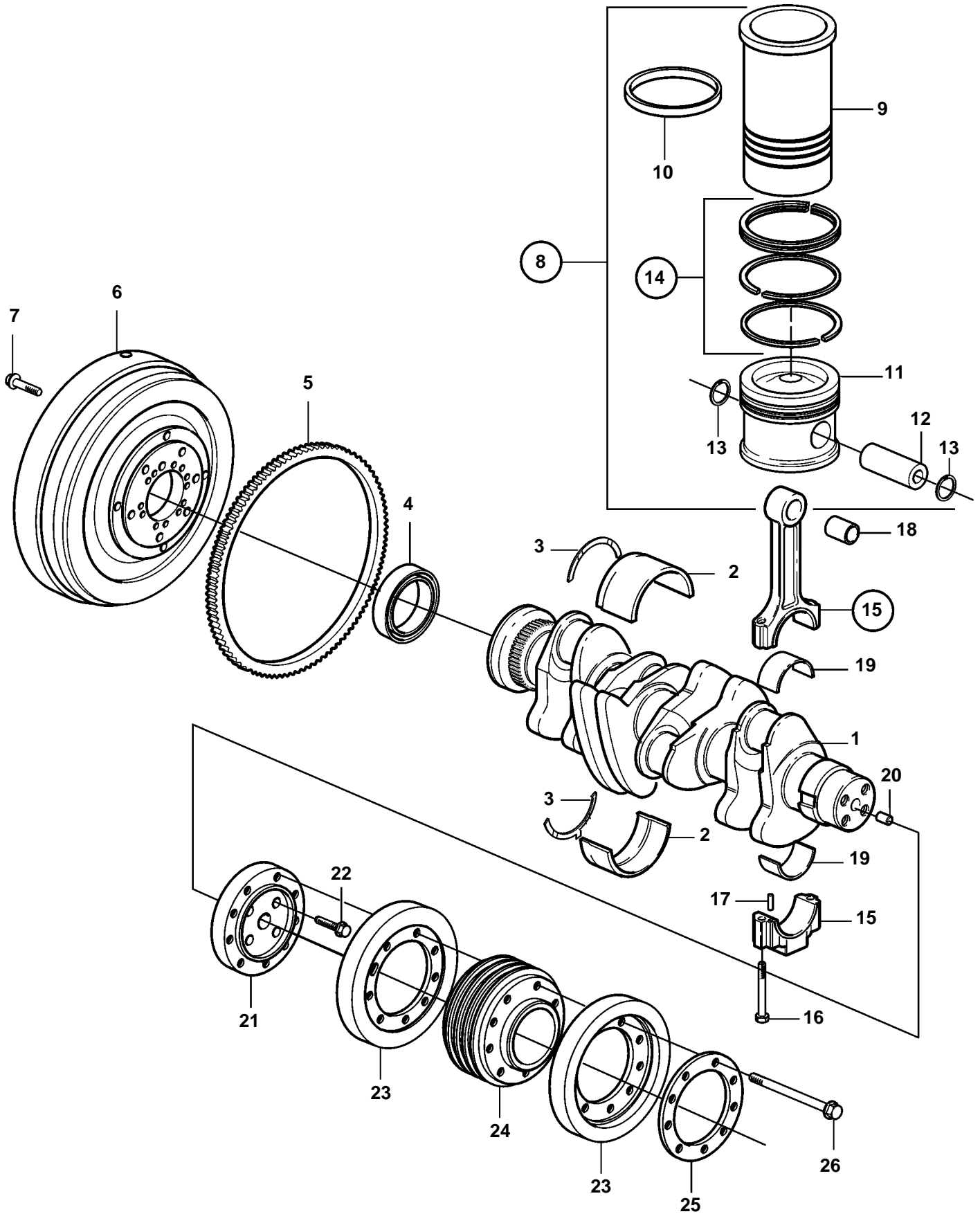


TAD721GE, TAD722GE



TAD721GE, TAD722GE

REF	PART NO.	QTY	DESCRIPTION	SEE SEC.	NOTES
1	20412323	1	Crankshaft		SN-01064130
	20724015	1	Crankshaft		SN-01099467
	20790461	1	Crankshaft		SN-01099468
	20875042	1	Crankshaft		SN01099469-
2	20405516	7	Main bearing kit		STD
	20405529	7	Main bearing kit		U.S=0,25mm
	20405541	7	Main bearing kit		U.S=0,50mm
3	20405899	1	Thrust washer kit		STD
	11700315	1	Thrust washer kit		O.S=0,20mm (3.1mm)
4		1	Crankshaft seal	8435	
5		1	Gear ring		
6		1	Flywheel		
7		10	Screw		
8	3842448	6	Cylinder liner kit		SN1058414-
9		6	· Cylinder liner		
10	20412762	12	· O-ring		
11		6	· Piston		
12	20405577	6	· · Piston pin		
13	20405576	12	· · Lock ring		
14	20450775	6	· · Piston ring kit		
15	20585982	6	Connecting rod		SN1099358-
16	11700326	12	· Screw		
17	20450823	6	· Pin		SN-1099357
	20459134	6	· Pin		SN1099358-
18	11700325	6	· Bushing		
19	20766790	6	Big end bearing kit		STD, SN1099358-
	20790423	6	Big end bearing kit		SN1099358-, U.S=0,25mm
	20717211	6	Big end bearing kit		SN1099358-, U.S=0,50mm
20	20405634	1	Locating pin		18X24
21	20592786		Flange		
22	20405724	4	Screw		
23	20585446	2	Vibration damper		For separate fan bracket., Genset 200 kvA n=1500 1/min, 1500 RPM
	20727639	2	Vibration damper		1800 RPM, Genset 200 kvA n=1800 1/min, For separate fan bracket.
24	20592794	1	Pulley		3-groove
25	20460800	1	Washer		
26	3586609	9	Hexagon screw		