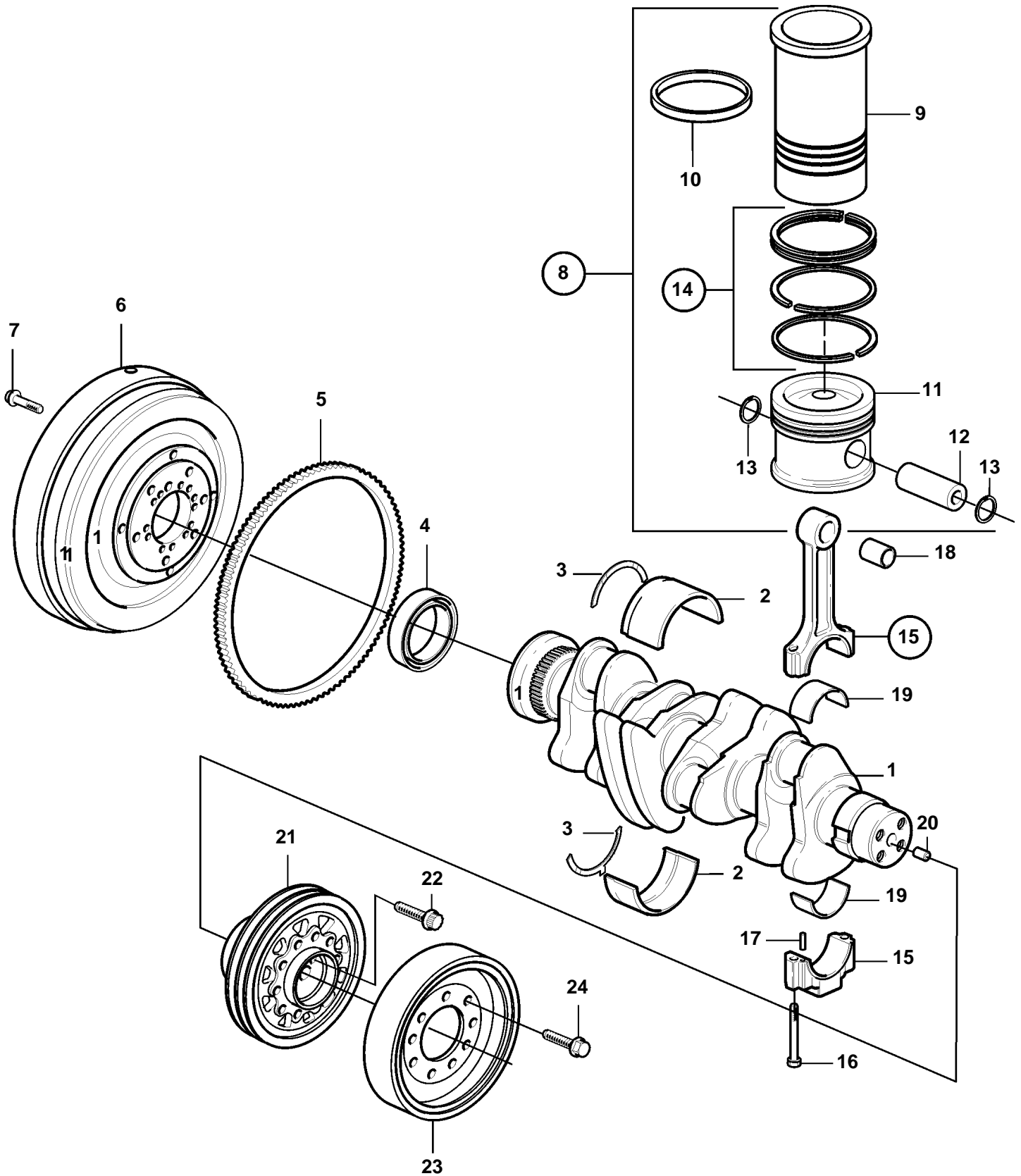


TAD520GE



21724

TAD520GE

REF	PART NO.	QTY	DESCRIPTION	SEE SEC.	NOTES
1	20405540	1	Crankshaft		SN-01098272
	20900811	1	Crankshaft		SN01098273-
2	20405516	5	Main bearing kit		STD
	20405529	5	Main bearing kit		U.S=0,25mm
	20405541	5	Main bearing kit		U.S=0,50mm
3	20405899	1	Thrust washer kit		STD
	11700315	1	Thrust washer kit		O.S=0,20mm (3.1mm)
4	20412286	1	Sealing ring	8435	
5		1	Gear ring		
6		1	Flywheel		
7		10	Screw		
8	888363	4	Cylinder liner kit		REPL BY 3843537, SN-779906
	3843537	4	Cylinder liner kit		
9		4	· Cylinder liner		
10	20412762	8	· O-ring		
11		4	· Piston		
12	20405577	4	· · Piston pin		
13	20405576	8	· · Lock ring		
14	20405571	4	· · Piston ring kit		
15	11700324	4	Connecting rod		SN-1099357, Replaced by 20585982
	20585982	4	Connecting rod		SN1099358-
16	11700326	8	· Screw		
17	20450823	4	· Pin		SN-1099357, Part has a unique replacement. The new part may be used in any case. The old part may ONLY used for engines that were org. eq. with this part.
	20459134	4	· Pin		SN1099358-
18	11700325	4	· Bushing		
19	20565150	4	Big end bearing kit		SN-1099357, Only for 11700324, STD, (11700316)
	20717211	4	Big end bearing kit		(11700317), Only for 11700324, U.S=0,25mm, SN-1099357
	20565188	4	Big end bearing kit		SN-1099357, Only for 11700324, (11700318), U.S=0,50mm
	20766790	4	Big end bearing kit		SN1099358-, STD
	20790423	4	Big end bearing kit		SN1099358-, U.S=0,25mm
	20717211	4	Big end bearing kit		U.S=0,50mm, SN1099358-
20	20405634	1	Locating pin		18X24
21	20405725	1	V-belt pulley		Alternator dw/width 238,2/10., Pump dw/width 237,8/13., For fan mounted on coolant pump
22	20405724	4	Screw		
23	20546792	1	Vibration damper		(248x32)
24	888289	9	Screw		