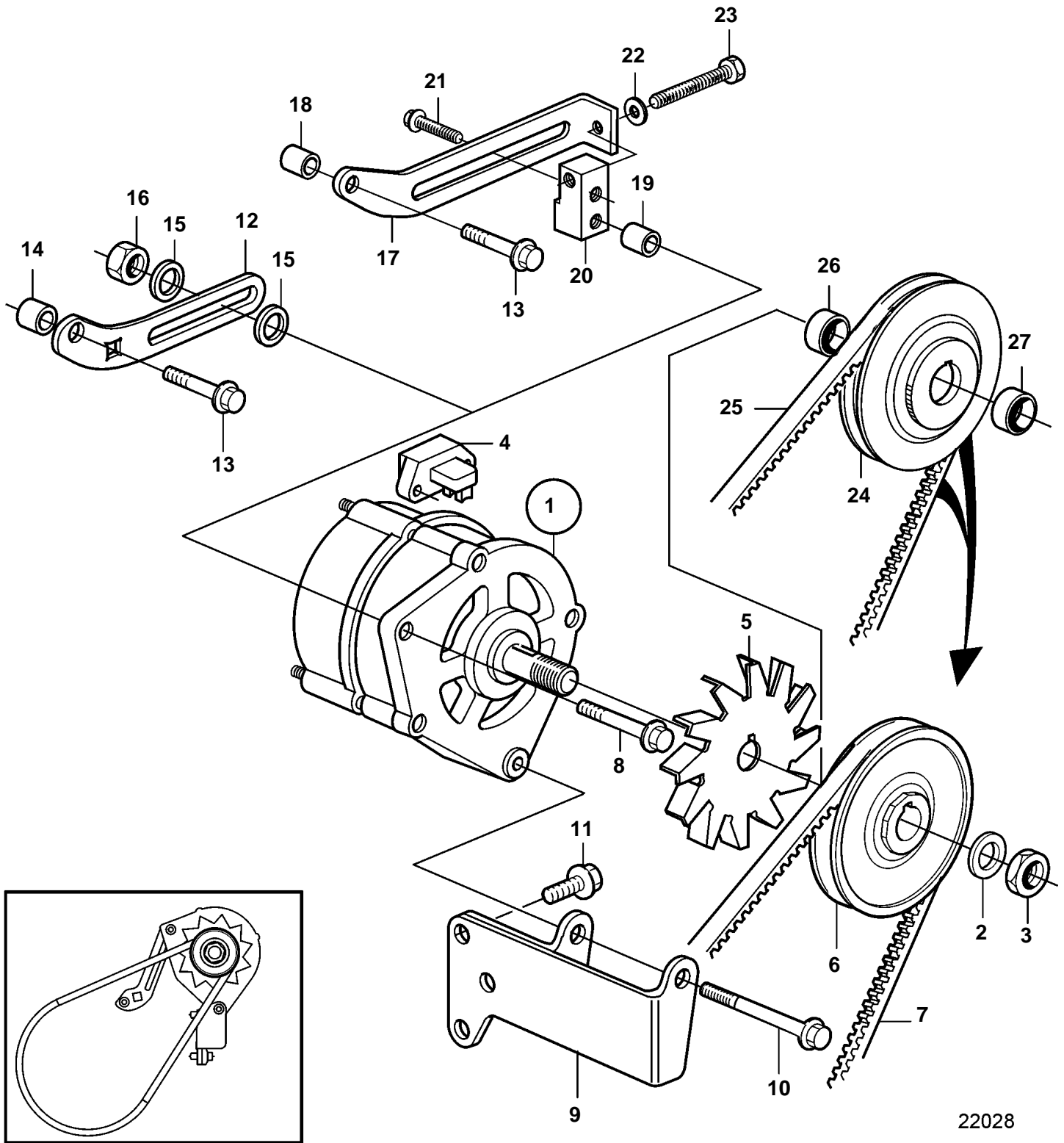


TD520GE, TAD520GE, TD720GE, TAD720GE



22028

TD520GE, TAD520GE, TD720GE, TAD720GE

REF	PART NO.	QTY	DESCRIPTION	NOTES
1	20571565	1	Alternator, 14V 55A	
	3803881	1	Alternator,exch, 14V 55A, exch	
	3803881	1	Alternator,exch	
			· Comps. not spec.	
2	20549886	1	· Spring washer	
3	20441521	1	· Nut	
4	20412578	1	· Regulator	
5	20412484	1	Fan	
6	20405796	1	Pulley	
7	978515	1	V-belt	
8	20412324	1	Screw	L=35mm
	955306	1	Screw	L=75mm, Later production., # 17, 19 and 20.
9	20460448	1	Bracket	
10	955306	1	Screw	
11	20441520	3	Screw	
12	20405804	1	Tensioner	Earlier production version.
13	20405917	1	Screw	
14	20405803	1	Spacer sleeve	
15	20405802	2	Washer	
16	20501349	1	Lock nut	
17	20776771	1	Tensioner	Later production.
18	20798457	1	Spacer sleeve	
19		1	Bushing	
20	20776770	1	Tension lock	
21	946173	1	Flange screw	
22	20460127	1	Washer	
23	20516135	1	Screw	
24	20776767	1	Pulley	Later production.
25	20701268	1	V-belt	Later production.
26	20798216	1	Intermediate ring	Later production.
27	20798204	1	Spacer	Later production.