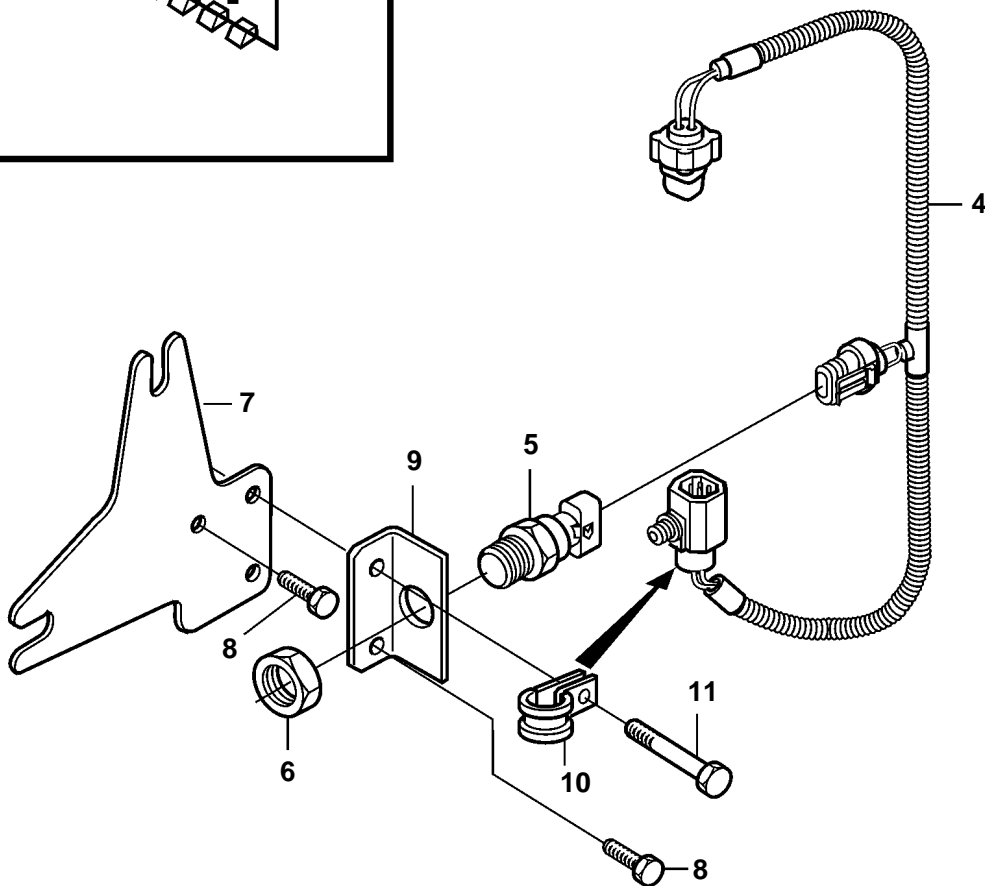
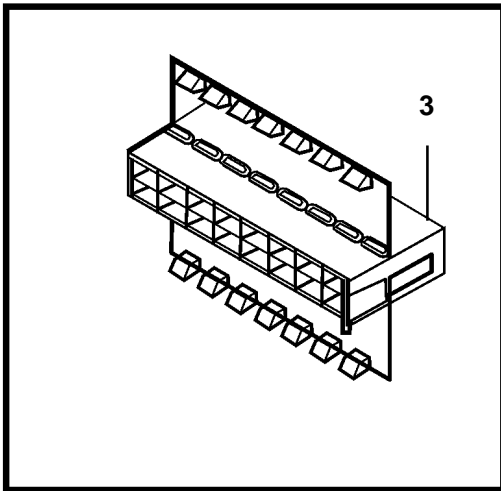
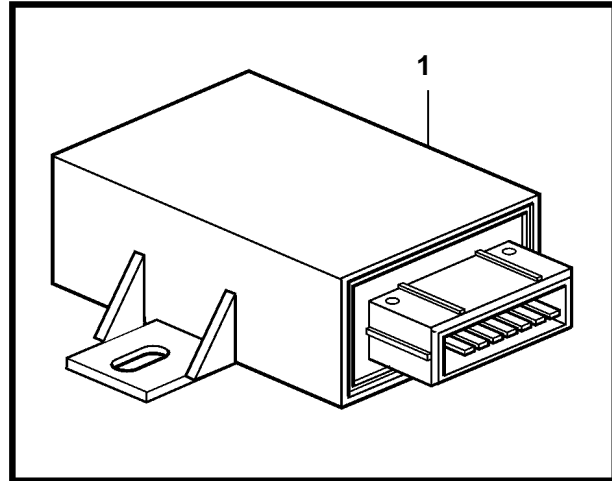
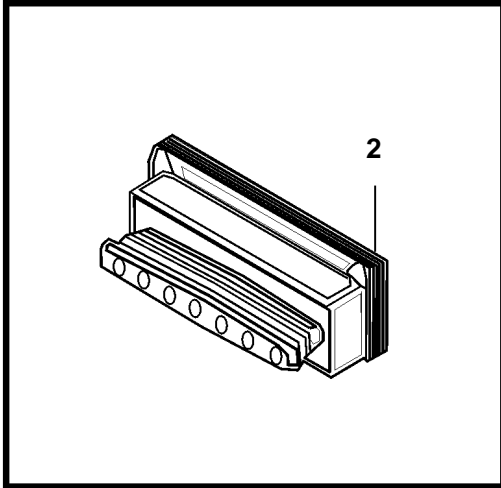


TD420VE, TAD420VE, TAD620VE



19332

**TD420VE, TAD420VE, TAD620VE**

REF	PART NO.	QTY	DESCRIPTION	NOTES
1	20459871	1	Control system, control unit	
2	20491254	1	Connector	Plug in connector for control unit.
3	20499683	1	Connector	
4	20460357	1	Cable	
5	20460353	1	Temperature sensor, switch	Temp.switch (air) for cold start.
6	20460354	1	Nut	
7	20460285	1	Bracket	
8	955271	3	Screw	
9	20460355	1	Bracket	
10	20460358	1	Clamp	
11	20505150	1	Screw	