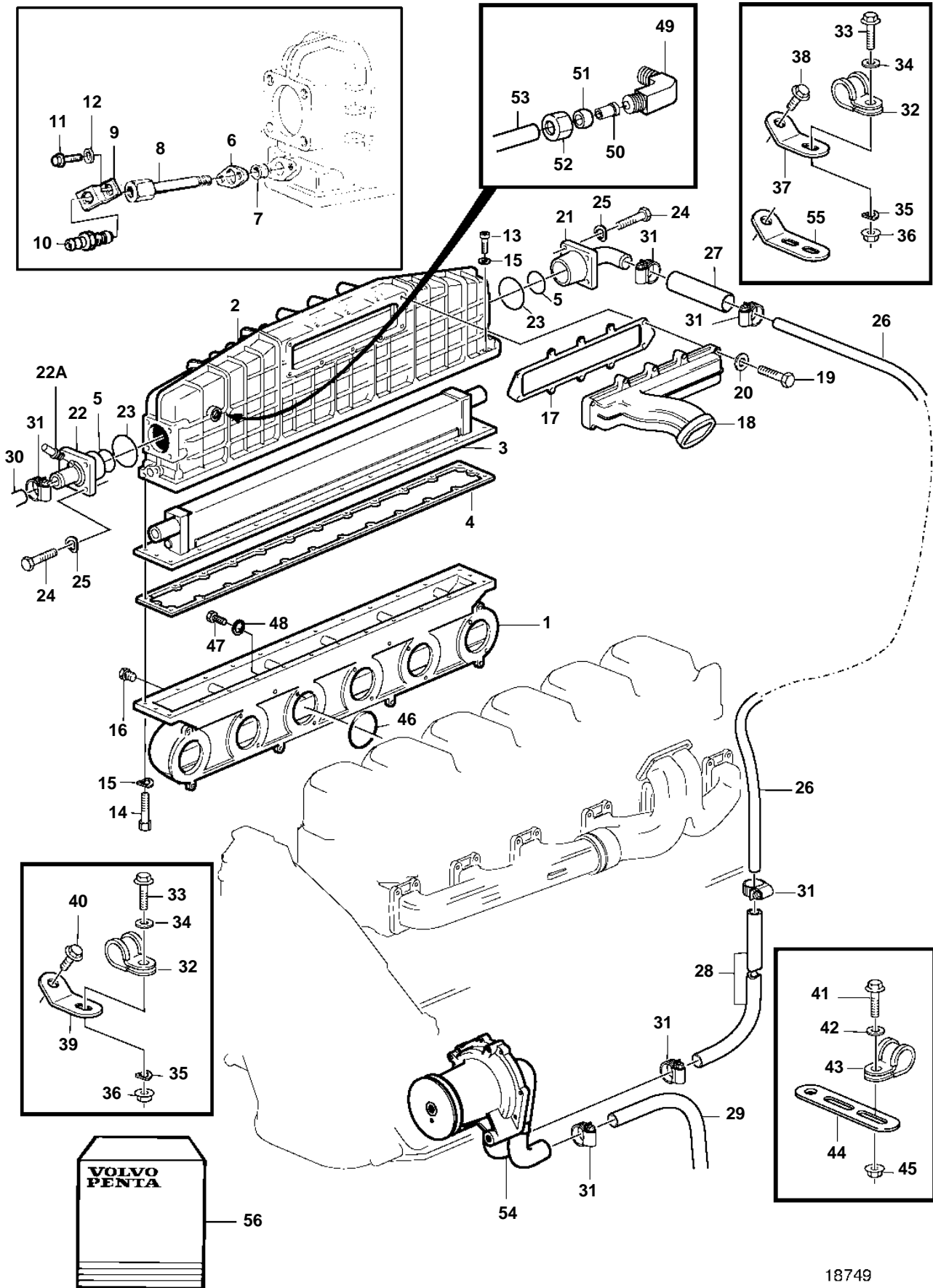


TD164KAE



18749

**TD164KAE**

REF	PART NO.	QTY	DESCRIPTION	SEE SEC.	NOTES
1	11032241	1	Inlet pipe, with starter element		
				4298	
2	11032229	1	Inlet pipe		
3	866457	1	Intercooler		
4	3979052	2	Gasket		
5	425695	2	O-ring		
6	3825050	1	Flange		
7	3825051	1	Sealing ring		
8	3825067	1	Tap		
9	11031112	1	Lock plate		
10	947893	1	Drain cock		
11	955514	2	Screw		
12	949607	2	Spring washer		
13	956572	10	Screw		
14	940186	16	Screw		
15	941907	26	Spring washer		
16	479977	1	Plug		
17	469662	1	Gasket		
18	11033811	1	Connection pipe		
19	940161	10	Screw		
20	955894	10	Washer		
21	11031574	1	Connection pipe		
22	3829737	1	Connection pipe		
22A	942722	1	· Nipple		
23	949332	2	O-ring		
24	955525	8	Screw		
25	941907	8	Spring washer		
26	11032068	1	Tube		
27	944386	X	Hose		L=80mm
28	944386	X	Hose		L=45mm,(924079)
29	944386	X	Hose		L=260mm
30	944386	X	Hose		L=560mm
31	943475	8	Hose clamp		
32	952635	2	Clamp		
33	946934	2	Flange screw		
34	955893	2	Washer		
35	941906	1	Spring washer		
36	945407	2	Flange nut		
37	11032066	1	Bracket		L=104mm
38	970991	2	Screw	SO	
39	11032065	1	Bracket		L=79mm
40	946441	1	Screw		
41	947542	1	Screw		
42	955893	1	Washer		
43	949850	1	Clamp		
44	965534	1	Bracket		
45	945407	1	Flange nut		
46	1543172	6	Sealing ring		
47	955310	8	Screw		L=130mm
	980103	4	Hexagon screw		L=170mm
48	955894	12	Washer		
49	954385	1	Elbow nipple		
50	944717	1	Sleeve		
51	954364	1	Fitting		
52	954356	1	Cap nut		
53	945460	1	Plastic pipe		L=45mm,(924079). To smoke limiter.
54	11032164	1	Circulation pump		
				4288	
55	965572		Bracket		
56	876171	1	Gasket kit, induction manifold		SEE GROUP 99