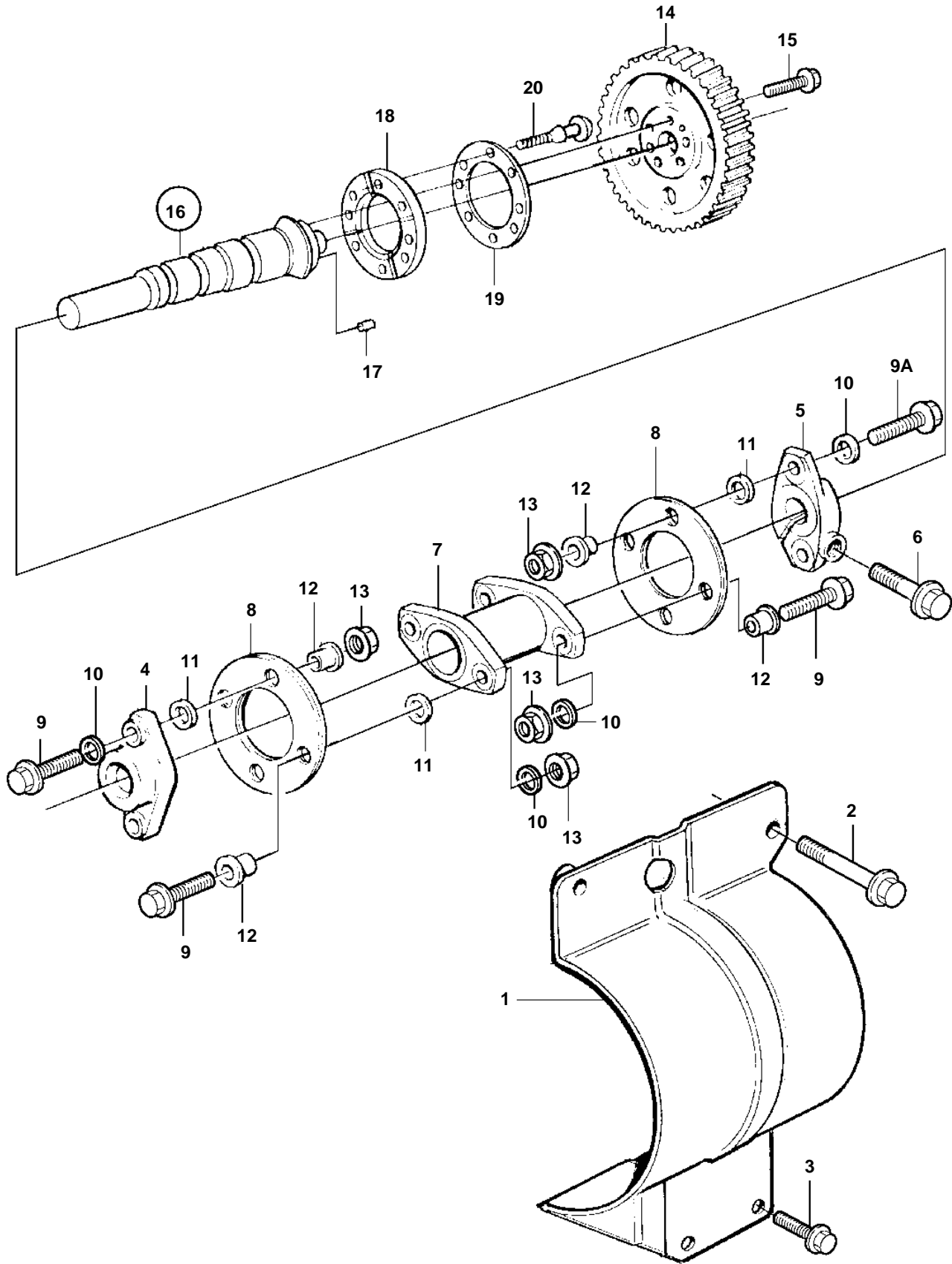


TD164KAE



TD164KAE

REF	PART NO.	QTY	DESCRIPTION	NOTES
1	863552	1	Pump coupling guard	For engines without air compressor.
2	946470	2	Flange screw	For engines without air compressor.
3	946440	2	Flange screw	For engines without air compressor.
4	1556188	1	Companion flange, rear	
5	1556186	1	Companion flange, front	
6	1556285	1	Screw	
7	1556175	1	Intermediate section	
8	479458	8	Disc	
9	965185	6	Flange screw	L=40mm
9A	965220	2	Flange screw	L=45mm
10	976945	8	Washer	
11	479399	8	Washer	
12	478897	8	Sleeve	
13	971095	8	Nut	
14	1556635	1	Gear, nitrocarburized	
15	975204	6	Flange screw	
16	866683	1	Axle shaft	
17	950564	1	• Pin	
18	1556700	1	Thrust washer	
19		1	Washer	
20	1556747	8	6 point socket screw, incl sealing ring	