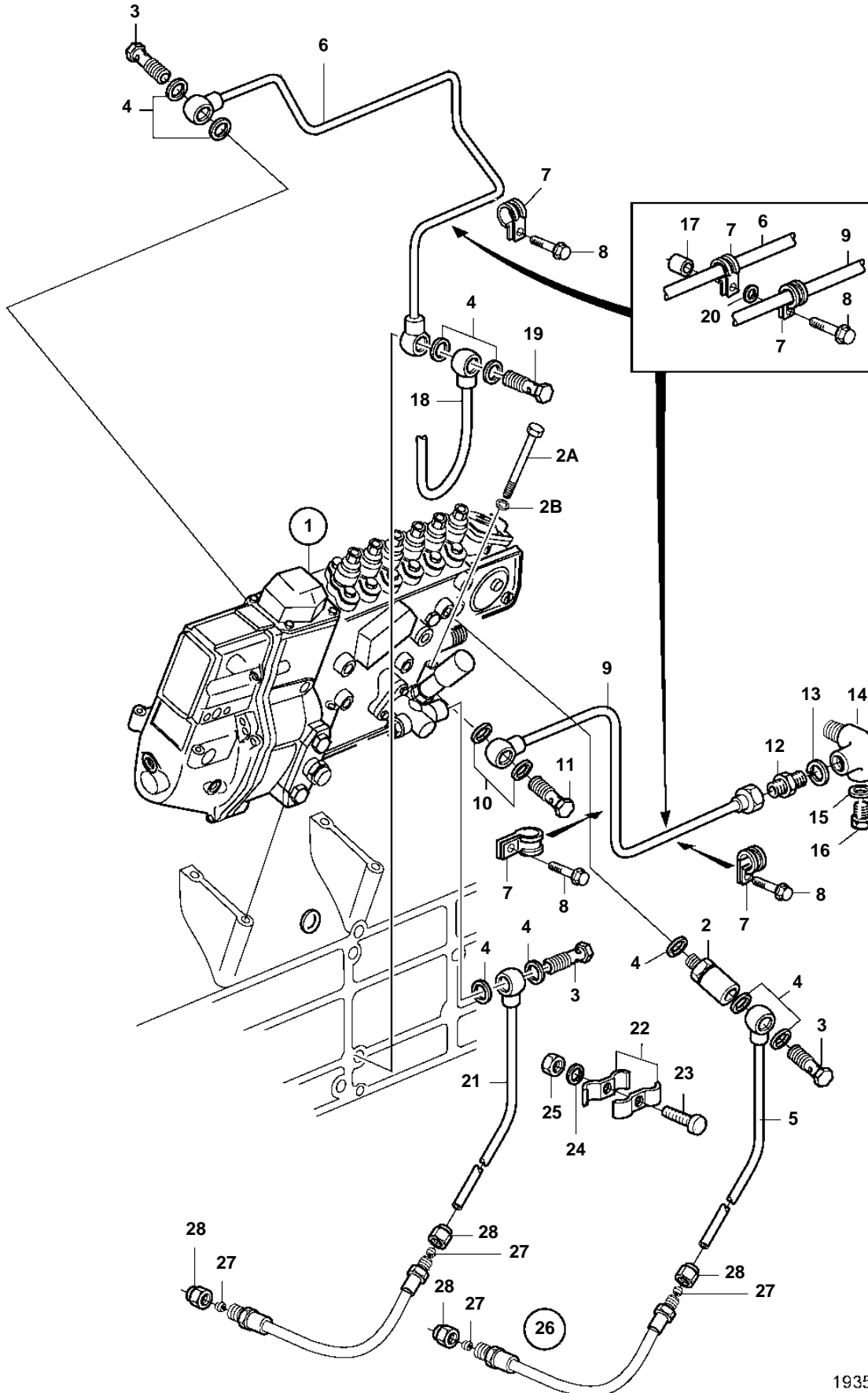


TD164KAE



19351

TD164KAE

REF	PART NO.	QTY	DESCRIPTION	SEE SEC.	NOTES
1	11032038	1	Injection pump		
	3803761	1	Injection pump, exch		Exchange unit
				4336	
2	11996309	1	• Overflow valve		
2A	970961	4	Screw		
2B	190509	4	Washer		
3	25167	3	Hollow screw		
4	969011	10	Gasket		
5	3825719	1	Pipe		
6	1556254	1	Oil return pipe		
7	949746	2	Clamp		
8	946470	2	Flange screw		
9	11127049	1	Oil feed pipe		
10	947281	2	Gasket		
11	48634	1	Hollow screw		
12	977639	1	Nipple		
13	976973	1	O-ring		
14	977640	1	T-pipe		
15	947282	1	Gasket		
16	960629	1	Plug		
17	846339	1	Spacer sleeve		
18	11032097	1	Pipe		
19	978197	1	Hollow screw		
20	955894	1	Washer		
21	849210	1	Fuel pipe		
22	402404	2	Clamp		
23	956094	1	Screw		
24	955892	1	Washer		
25	945407	1	Flange nut		
26	865737	2	Fuel hose		
27	956969	4	• Ferrule		
28	956983	4	• Nut		