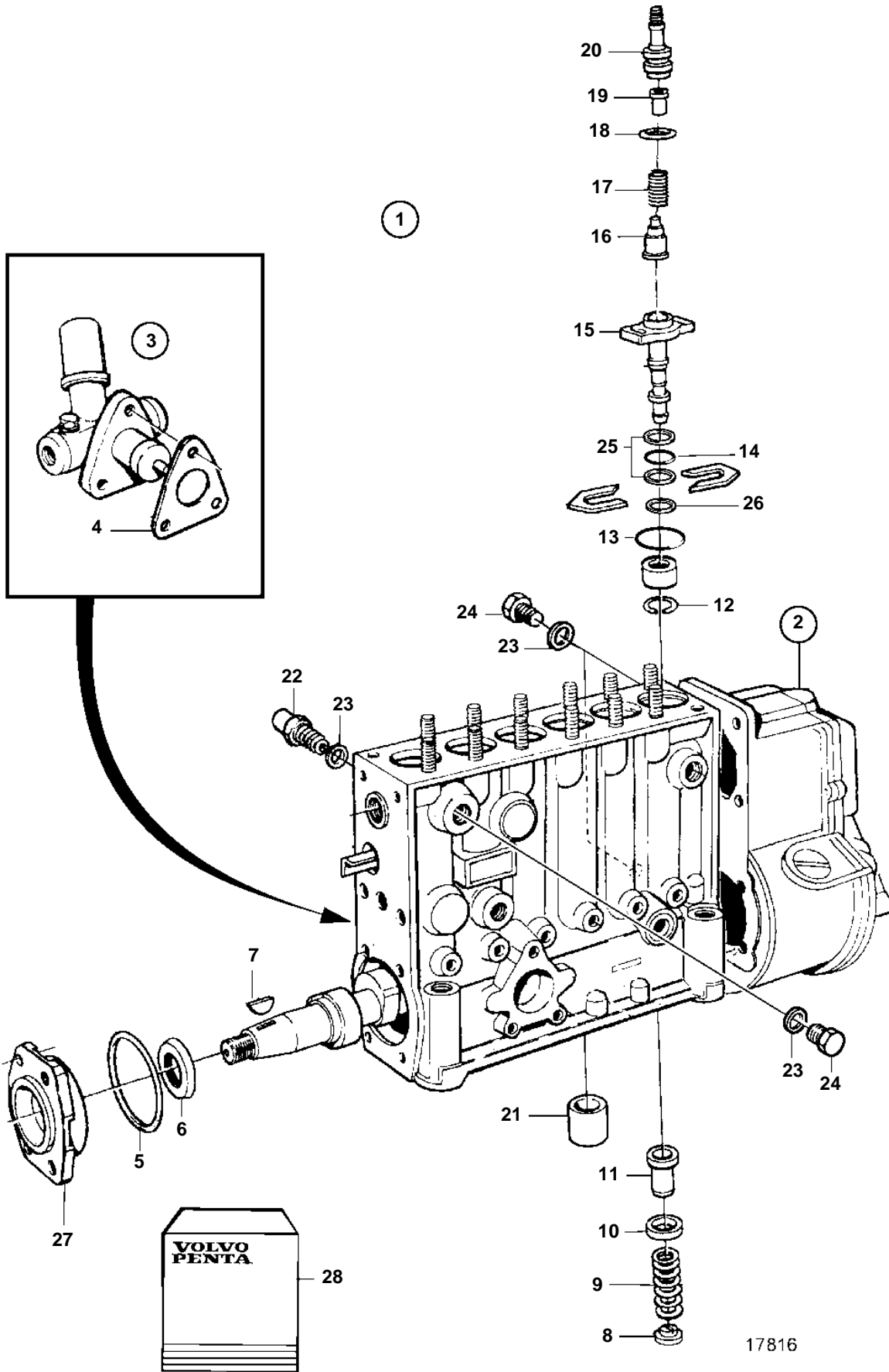


TD164KAE



TD164KAE

REF	PART NO.	QTY	DESCRIPTION	SEE SEC.	NOTES
1	11032038	1	Injection pump		
	3803761	1	Injection pump, exch		Exchange unit
2		1	• Governor		
			• Comps. not spec.		
3	863474	1	• Feed pump		
				4271	
4	863370	1	• Gasket		Included in small parts kit.
5	1698556	1	• O-ring		
6	1699474	1	• Sealing ring		
7	35168	1	• Key		Included in small parts kit.
8	862408	6	• Spring disc	SO	
9	1699544	6	• Compression spring		
10	239984	6	• Spring disc		
11	3829550	6	• Control sleeve		
12	1699457	6	• Stop ring		Included in small parts kit.
13	862402	6	• O-ring		Included in small parts kit.
14	240422	6	• O-ring		Included in small parts kit.
15	1699536	6	• Pump element		
16	85103885	6	• Delivery valve		
17	1699812	6	• Compression spring		
18	862400	6	• O-ring		
19	1699811	6	• Spring disc		Included in small parts kit.
20	1699810	6	• Delivery valve retai		
21		6	• Cardboard tube		Included in small parts kit.
22	11996309	1	• Overflow valve		
23	969011	3	• Gasket		Included in small parts kit.
24	847439	1	• Screw		Included in small parts kit.
25	3094382	12	• Support ring		
26	11996307	6	• O-ring	SO	Included in small parts kit.
27		1	• Cover		
28	862425	1	Small parts kit		