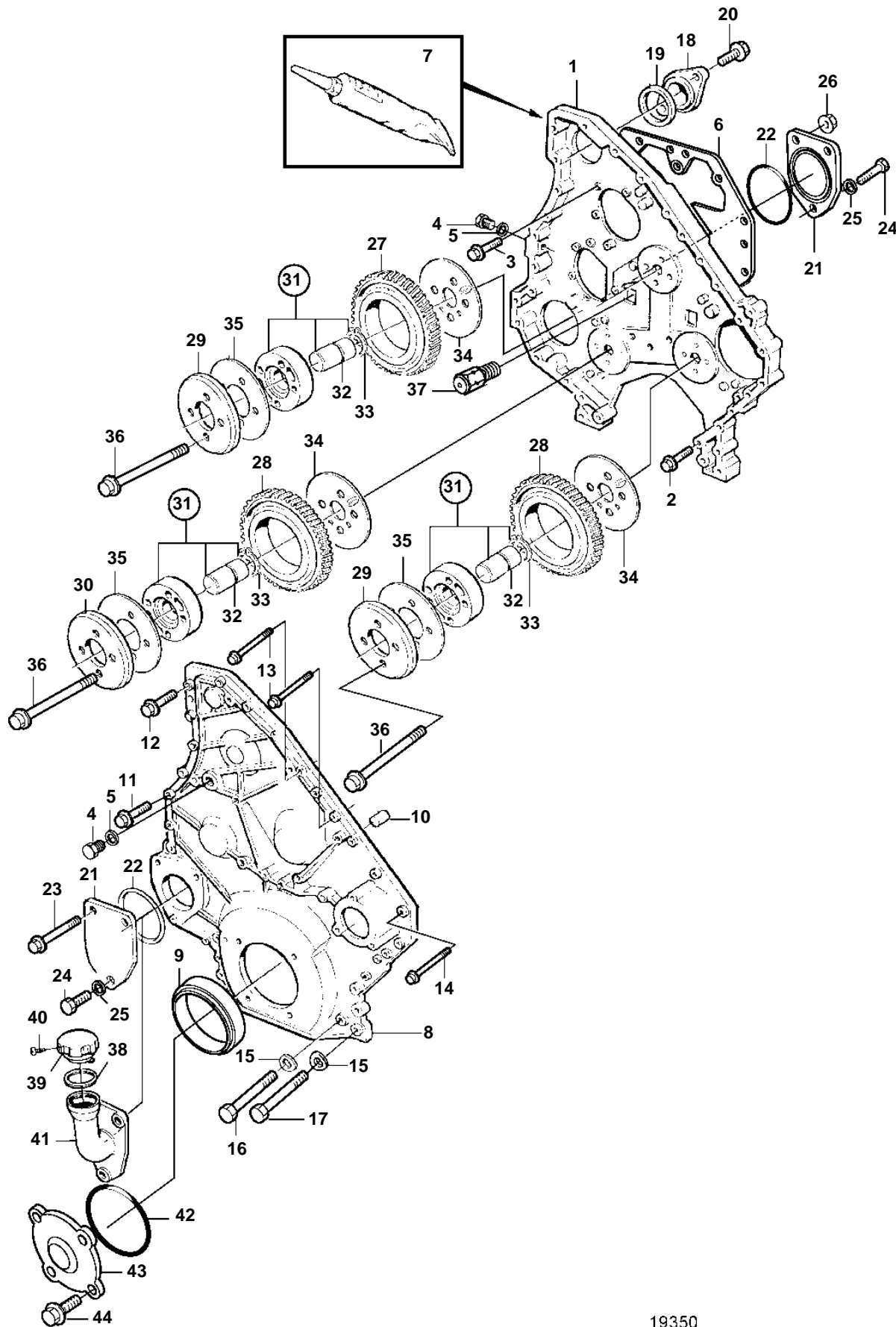


TD164KAE



19350

TD164KAE

REF	PART NO.	QTY	DESCRIPTION	NOTES
1	3825331	1	Timing gear casing	
2	978267	1	Screw	
3	978266	14	Screw	
4	960632	2	Plug	
5	947624	2	Gasket	
6		1	Gasket	REPL BY 1161277
7	1161277	X	Sealant	10g
	1161231	X	Sealant	304ml
8	848784	1	Timing gear cover	
9	3825169	1	Sealing ring	
10	848843	1	Guide sleeve	
11	946470	5	Flange screw	L=35mm
12	947760	13	Flange screw	L=40mm
13	965182	2	Flange screw	L=80mm
14	947790	4	Flange screw	L=80mm
15	941911	7	Spring washer	
16	971010	2	Screw	L=130mm
17	971012	5	Screw	L=150mm
18	11032115	1	Pipe connection	
19	468094	1	Sealing ring	
20	946329	2	Flange screw	(973083)
21	420178	2	Cover	
22	975610	2	O-ring	
23	966368	2	Flange screw	
24	970993	2	Screw	
25	941911	2	Spring washer	
26	971097	2	Nut	
27	1543897	1	Idler gear, upper	
28	1543917	2	Idler gear	
29	1543901	2	Bearing shield	TH=5,5mm
30	1556593	1	Bearing shield, idler gear-fuel inj pump	TH = 7mm
31	1543799	3	Spindle	
32	1543597	3	· Pin	
33	914459	3	· Lock ring	
34	1543598	3	Thrust washer	
35	1543900	3	Thrust washer	
36	471513	12	Screw	
37	3825384	1	Jet, cylinder block	
38	1275379	1	Gasket	
39	1275403	1	Oil filler cap	
40	955126	1	Screw	
41	866120	1	Pipe	
42	925271	1	O-ring	
43	849118	1	Cover	
44	946173	4	Flange screw	