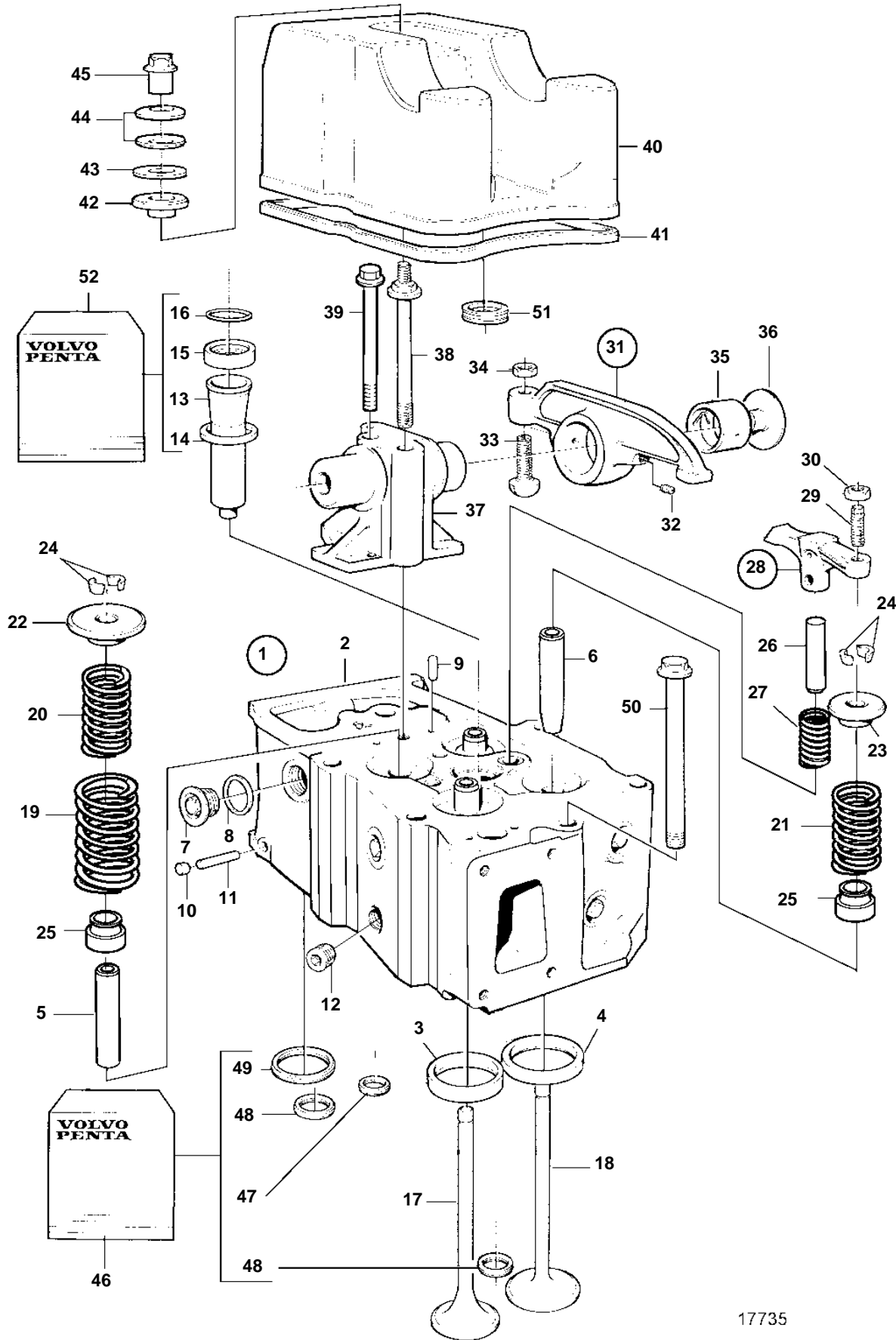


TD164KAE



17735

TD164KAE

REF	PART NO.	QTY	DESCRIPTION	NOTES
1	1556600	6	Cylinder head	
2		6	· Cylinder head	
3	1556149	12	· Valve seat, exhaust	STD
	1556333	12	· Valve seat, exhaust	O.S.=0,20mm
4	1556148	12	· Valve seat, intake	STD
	1556332	12	· Valve seat, intake	O.S.=0,20mm
5	20355015	12	· Valve guide, exhaust	
6	20355012	12	· Valve guide, intake	
7	1556989	24	· Plug	
8	468463	24	· Gasket	
9	950543	12	· Pin	
10	955077	6	· Plug	
11	1543492	6	· Pin	
12	3964715	12	· Plug	
13	1543223	6	· Spray sleeve	
14	1543225	6	· Sealing ring	
15	1543606	6	· Ring	
16	1543574	6	O-ring	
17	1556896	12	Exhaust valve	
18	1556813	12	Inlet valve	
19	1543870	12	Valve spring	
20	1543871	12	Valve spring	
21	1543872	12	Valve spring	
22	1543866	12	Valve spring washer	
23	1543046	12	Valve spring washer	
24	1543078	48	Valve collet	
25	1556064	24	Sealing ring	
26	1556073	12	Pin	
27	1543981	12	Compression spring	
28	1556167	12	Yoke	
29	1543368	12	· Adjusting screw	
30	946911	12	· Nut	
31	1543441	12	Rocker arm	
32	1543723	24	· Nozzle	
33	1543372	12	· Stud bolt	
34	946911	12	· Nut	
35	1543443	12	· Bushing	
36	1543508	12	Plug	
37	1543476	6	Bearing bracket	
38	1556078	6	Stud	
39	975105	6	Flange screw	
40	1543469	6	Valve cover	
41	1543581	6	Gasket	
42	1543582	6	Damping ring	
43	1543657	6	Washer	
44	943819	12	Disc spring	
45	1543654	6	Cap nut	
46	276924	6	Gasket kit, cylinder head	
47	1543576	6	· Sealing ring	O.D.=22,4mm
48	1543566	12	· Sealing ring	O.D. = 32,5mm
49	1543580	12	· Sealing ring	O.D.= 54,6mm
50	1556956	36	Screw	
51	1543751	6	Sealing ring, injector-valve cover	Included in gasket kit 876838.
52	276836	6	Copper sleeve kit, fuel injector	