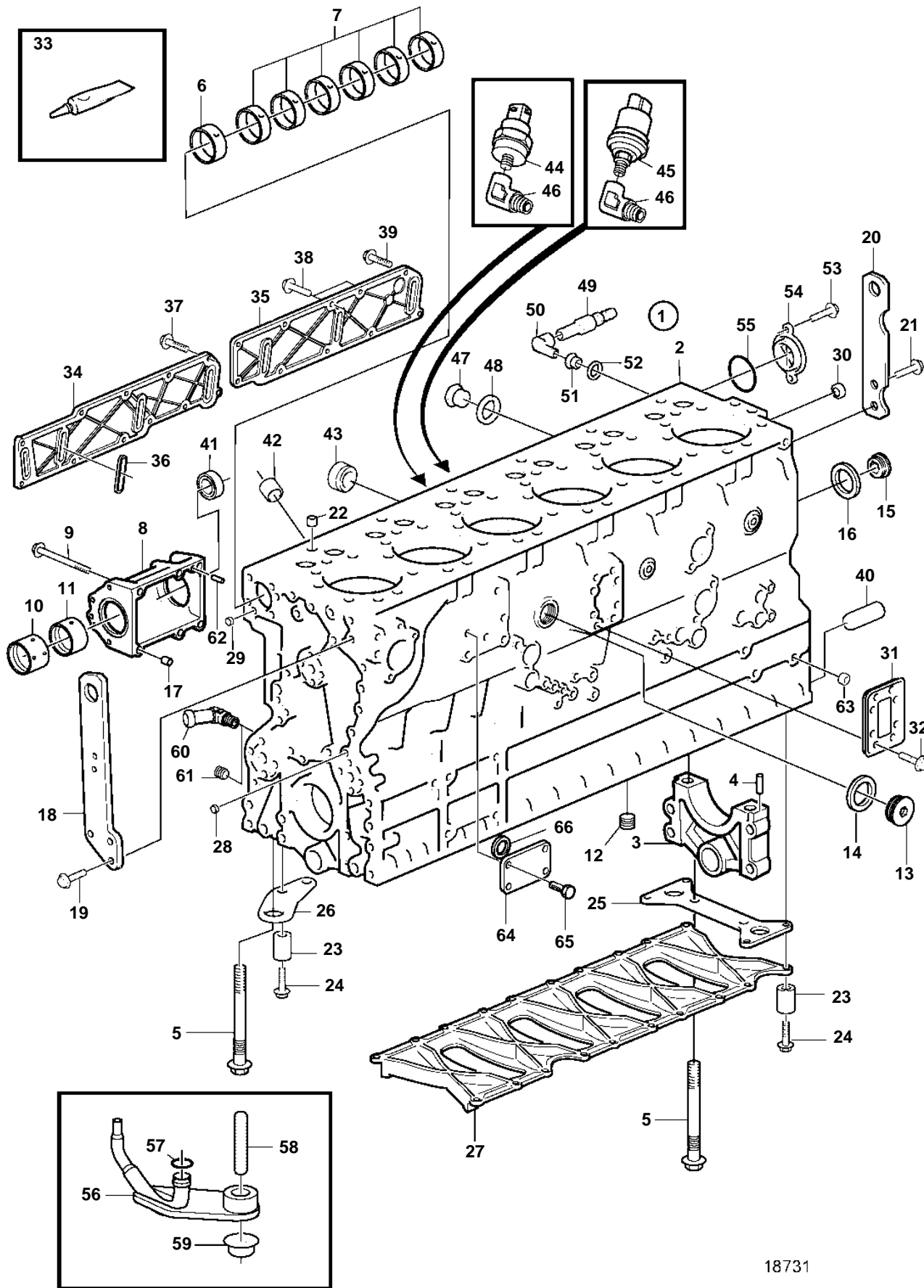


TD164KAE



18731

TD164KAE

REF	PART NO.	QTY	DESCRIPTION	SEE SEC.	NOTES
1	1556500	1	Cylinder block		
2		1	· Cylinder block		
3		7	· Main bearing cap		
4	422426	7	· Pin		
5	1543412	14	· Flange screw		
6	1556514	1	· Bushing, front		
7	1556515	6	· Bushing		
8		1	· Bearing housing		
9	975102	4	· Flange screw		L=60mm
	975105	1	· Flange screw		L=100mm
	975107	1	· Flange screw		L=120mm
10	1556353	1	· Bushing, front		
11	1556372	1	· Bushing, rear		
12	952079	1	· Plug, 1 NPTF		
13	467367	3	· Plug		
14	1556907	3	· Gasket		(469328)
15	8193945	1	· Plug		
16	469327	1	· Gasket		
17	1543693	6	· Guide sleeve		
18		1	Lift ironfront		
19	965191	3	Screw		
20		1	Lift ironrear		
21	968436	2	Flange screw		
22	1543693	6	Guide sleeve, cylinder head		
23	1543787	8	Spacer sleeve		
24	965192	28	Flange screw		
25	1556797	5	Stiffening plate		(1543590)
26	1543589	4	Stiffening plate		
27	1556670	1	Frame	SO	
28	955083	2	Cap plug		D=14,5mm
29	967853	1	Cap plug		D=10,5mm
30	946778	1	Cap plug		D=17,5mm
31	1543593	1	Cover		
32	967949	8	Screw		(965175)
33	1161231	X	Sealant		304ml
	1161277	X	Sealant		10g
34	1543486	1	Cover plate, front		
35	1543488	1	Cover plate, rear		
	1556289	1	Cover plate, with crankh vent outlet		
36	469606	7	Sealing ring		(1556388)
37	945444	18	Flange screw		L=25mm
38	946752	2	Flange screw		L=35mm
39	946470	1	Flange screw		L=35mm
40	191171	2	Pin, flywheel cover		
41	1546221	1	Sealing ring		
42	417588	1	Guide sleeve, fuel inj. pump		
43	968063	1	Plug		M16
44		1	Pressure monitoroil	5152	
45		1	Oil pressure sensor	5152	
46		2	Elbow nipple	5152	
47	960631	1	Plug		
48	947622	1	Gasket		
49	974320	1	Tap		
50	977409	1	Elbow nipple		
51	948867	1	Nipple		
52	18677	1	Gasket		
53	946173	2	Flange screw		
54	1542242	1	Cover		
55	968971	1	O-ring		
56	1556430	6	Jet, piston cooling		
57	955981	6	· O-ring		
58	1556434	6	Stud		
59	948645	6	Lock nut		

