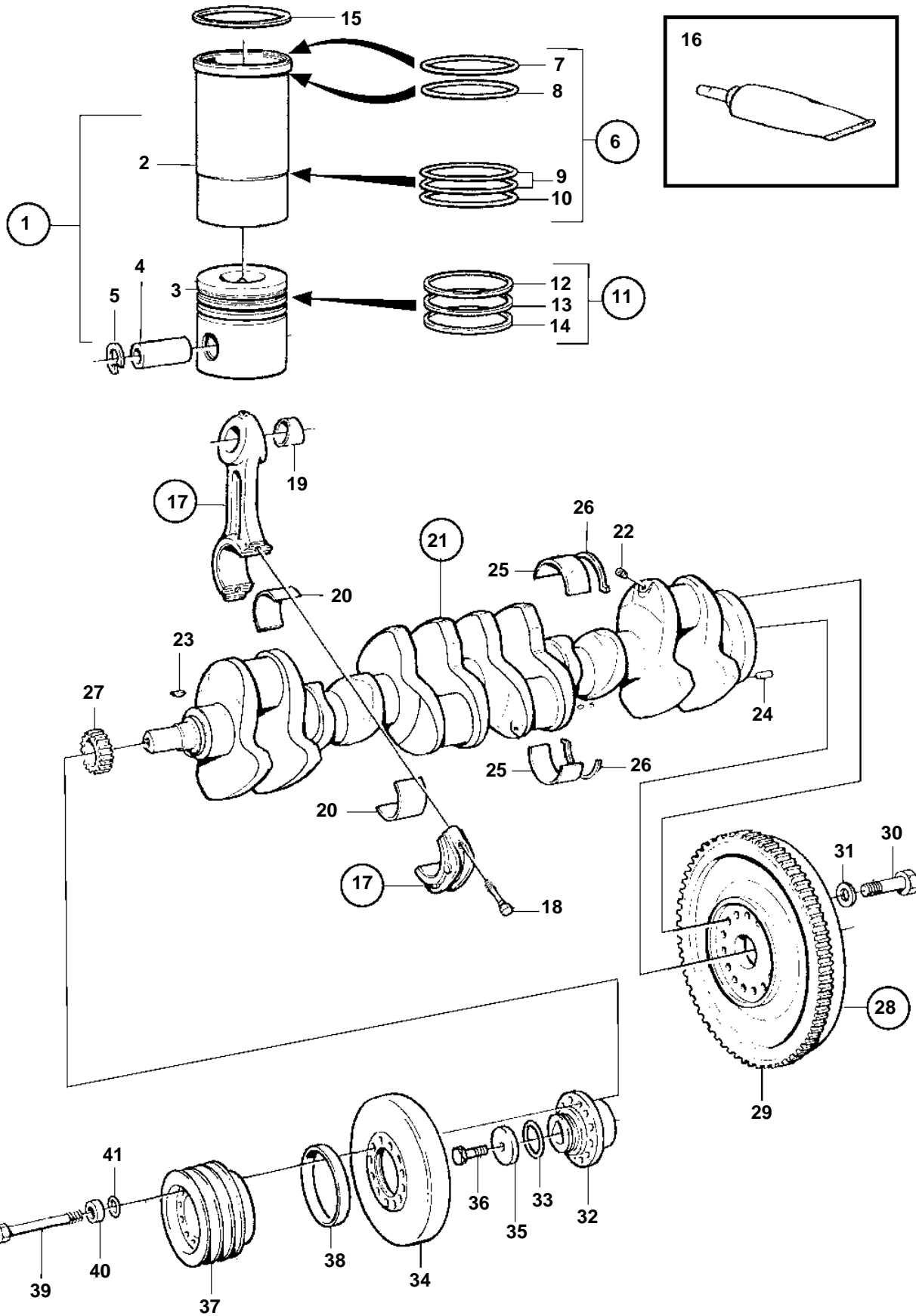


TD164KAE



17740

TD164KAE

REF	PART NO.	QTY	DESCRIPTION	NOTES
1	877360	6	Cylinder liner kit	
2		6	· Cylinder liner	
3		6	· Piston	
4	1556939	6	· Piston pin	
5	914532	12	· Snap ring	
6	270935	6	· Sealing ring kit	
7	1543507	6	· · Sealing ring	
8		6	· · Sealing ring	
9		12	· · Sealing ring	
10		6	· · Sealing ring	
11	877361	6	· Piston ring kit	
12		6	· · Compression ring	
13		6	· · Compression ring	
14		6	· · Oil scraper ring	
15	1548125	X	Shim	TH=0,20mm. Shims to adjust the cylinder liner level.
	1548126	X	Shim	TH = 0,30mm. Shims to adjust the cylinder liner level.
	1548127	X	Shim	TH = 0,50mm. Shims to adjust the cylinder liner level.
16	1161231	X	Sealant	304ml
	1161277	X	Sealant	10g
17	1556319	6	Connecting rod	
18	1543035	12	· Screw	
19	1556321	6	· Bushing	
20	270796	6	Big end bearing kit	STD D
	270797	6	Big end bearing kit	U.S=0,25mm
	270798	6	Big end bearing kit	U.S=0,51mm
	270799	6	Big end bearing kit	U.S=0,76mm
21	863792	1	Crankshaft	CLASSIFIABLE
22	978130	6	· Plug	
23	422253	1	· Woodruff key	
24	950645	1	· Pin	
25	270792	7	Main bearing kit	STD D
	270793	7	Main bearing kit	U.S=0,25mm
	270794	7	Main bearing kit	U.S=0,51mm
	270795	7	Main bearing kit	U.S=0,76mm
26	270929	1	Thrust washer kit	STD D
	270930	1	Thrust washer kit	O.S=0,10mm
	270931	1	Thrust washer kit	O.S=0,20mm
	270932	1	Thrust washer kit	0,30mm OVER SIZE
27	1543444	1	Gear	
28	3835886	1	Flywheel	
29	8193939	1	· Gear ring	
30	1677893	14	Screw	
31	1543563	14	Washer	
32	848851	1	Hub	
33	945512	1	O-ring	
34	1543834	1	Vibration damper	
35	422124	1	Washer	
36	862504	1	Screw	
37	3825893	1	V-belt pulley	3-GROOVES
38	3829683	1	· Wear ring	
39	970960	12	Screw	
40	4956010	12	Washer	
41	955974	12	O-ring	

7740770 - 21 - 4264

17740

Upd: 21 NOV 2005

TD164KAE

**VOLVO**  
**PENTA**