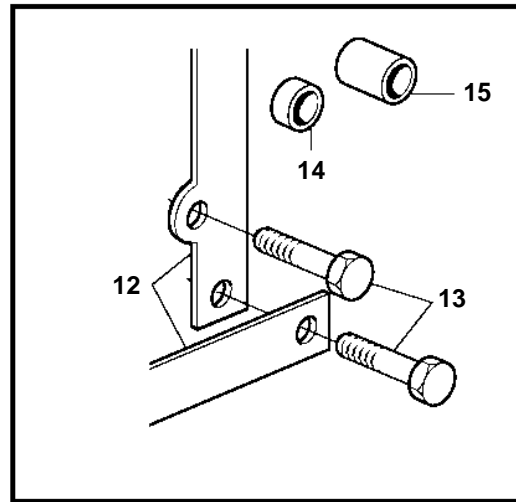
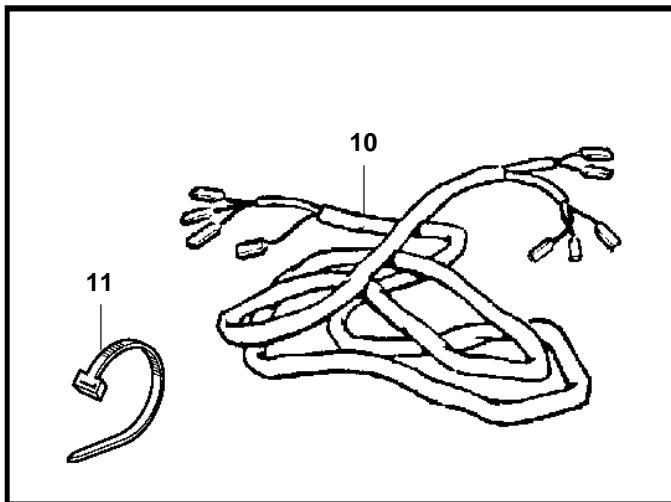
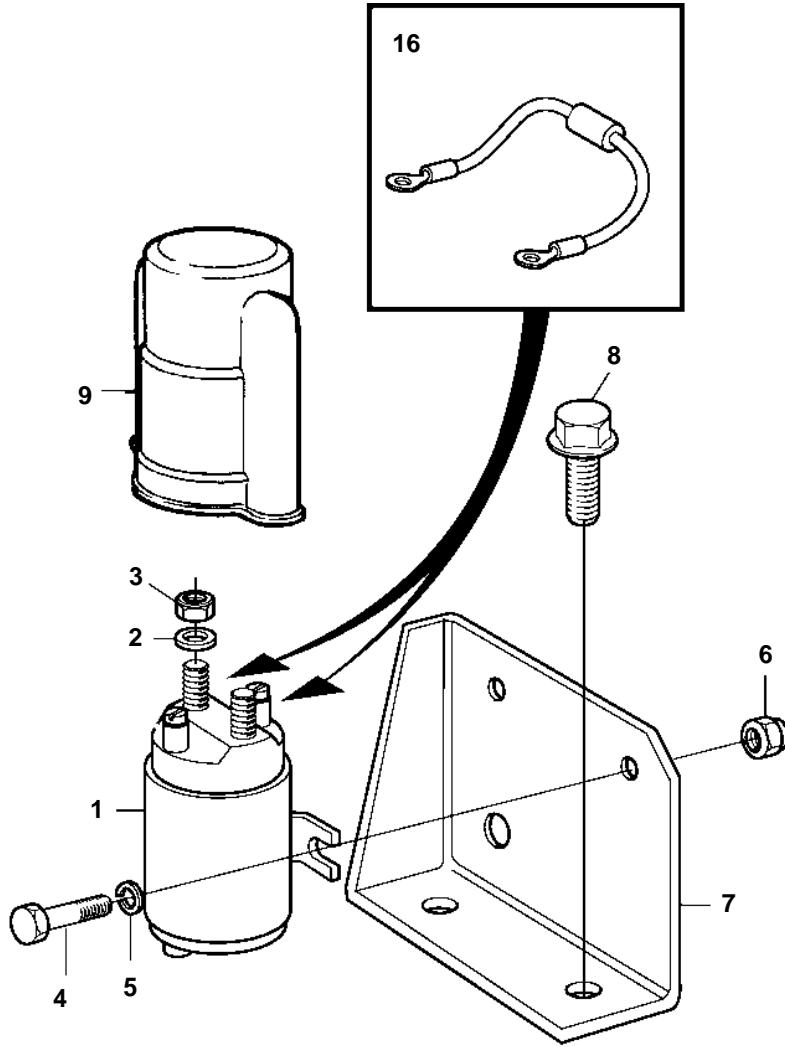


TD164KAE



TD164KAE

REF	PART NO.	QTY	DESCRIPTION	NOTES
1	873962	1	Relay	24V 150A
2	941907	2	· Spring washer	
3	955782	2	· Nut	
4	955246	2	Screw	
5	940090	2	Washer	
6	946577	2	Lock nut	
7	862222	1	Bracket, flywheel cover	
8	946173	2	Flange screw	
9	1581123	1	Cover	
10	873010	1	Cable kit	
11	948211	X	Strip clamp	
12		X	Cable iron	
13	946173	2	Flange screw	M8x20mm
	965180	2	Flange screw	M8x60mm
	946471	1	Screw	M10x16mm
	965187	1	Screw	M10x60mm
14	1586847	2	Spacer sleeve	I.D=22mm L=2000mm
15	833243	2	Spacer sleeve	I.D=8,4mm L=30mm
16	873789	1	Diode	