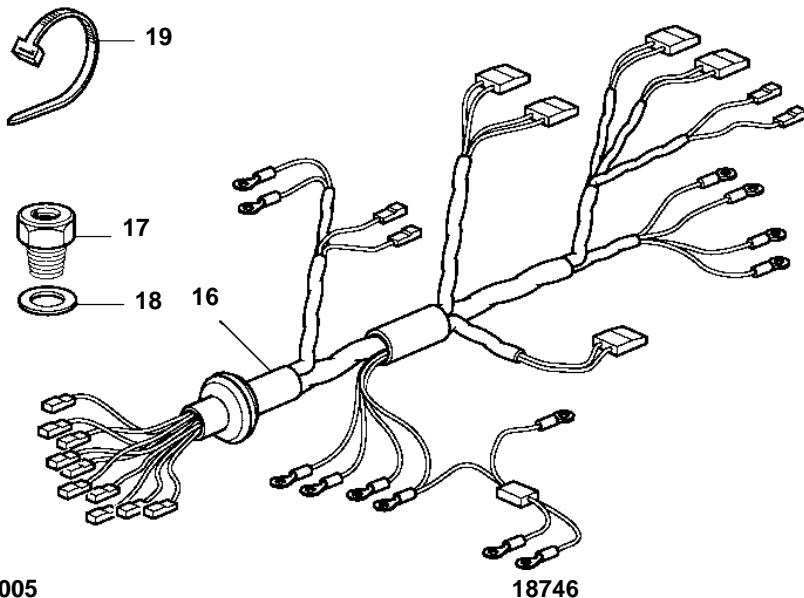
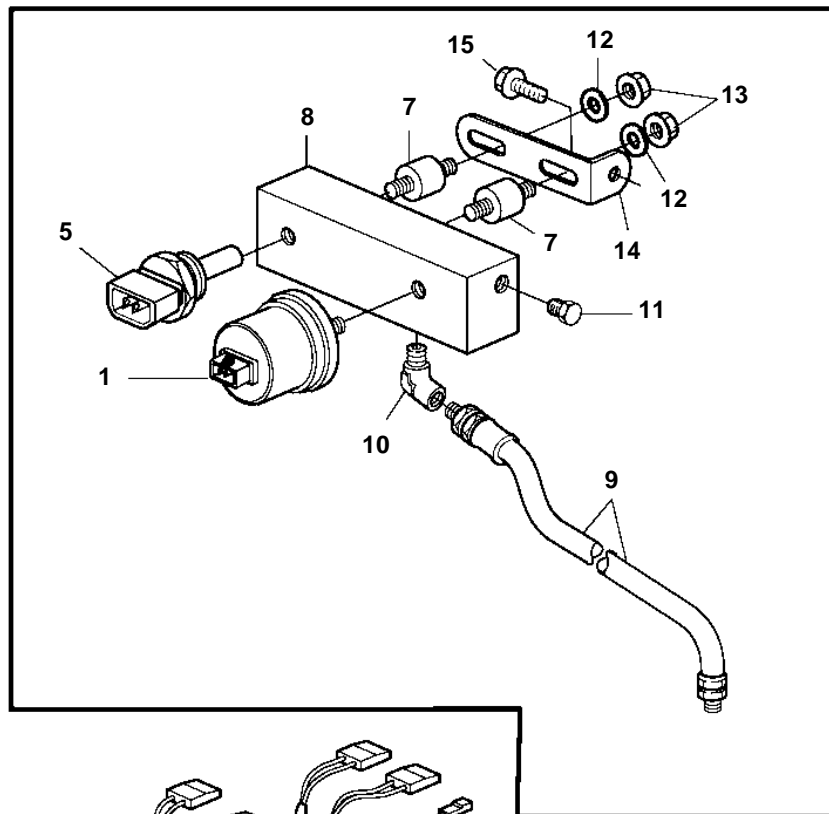
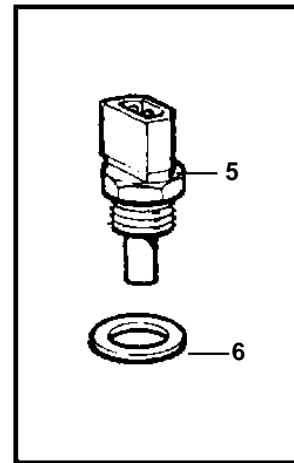
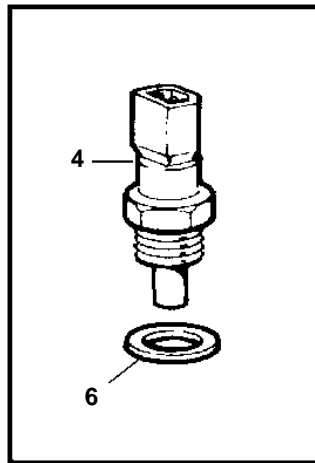
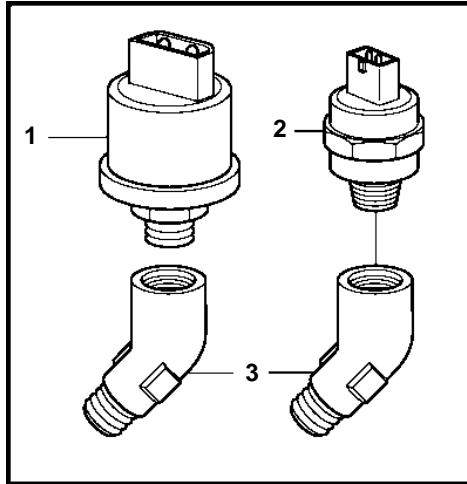


TD164KAE



TD164KAE

REF	PART NO.	QTY	DESCRIPTION	NOTES
1	866835	1	Pressure sensor, oil-engine	0-10bar
2	863169	1	Pressure monitor, oil pressure	0,7bar
3	809109	2	Elbow nipple	
4	848829	1	Temperature sensor	103°C
	862250	1	Thermo monitor	97°C
5	862154	1	Temperature sensor, coolant water temp.	MAX 120°C
6	11998	2	Gasket	
7	3574797	2	Rubber cushion	
8	866704	1	Bracket	
9	1507501	1	Hose	
10	180110	1	Elbow nipple	
11	479979	2	Plug	
12	976943	2	Washer	
13	963105	2	Nut	
14	965558	1	Bracket	
15	946440	1	Flange screw	
16	874248	1	Wiring harness	
17	421528	1	Reduction nipple	M16X1,5 - 1/8-27NPSF
18	11996	1	Gasket	
19	948211	X	Strip clamp	