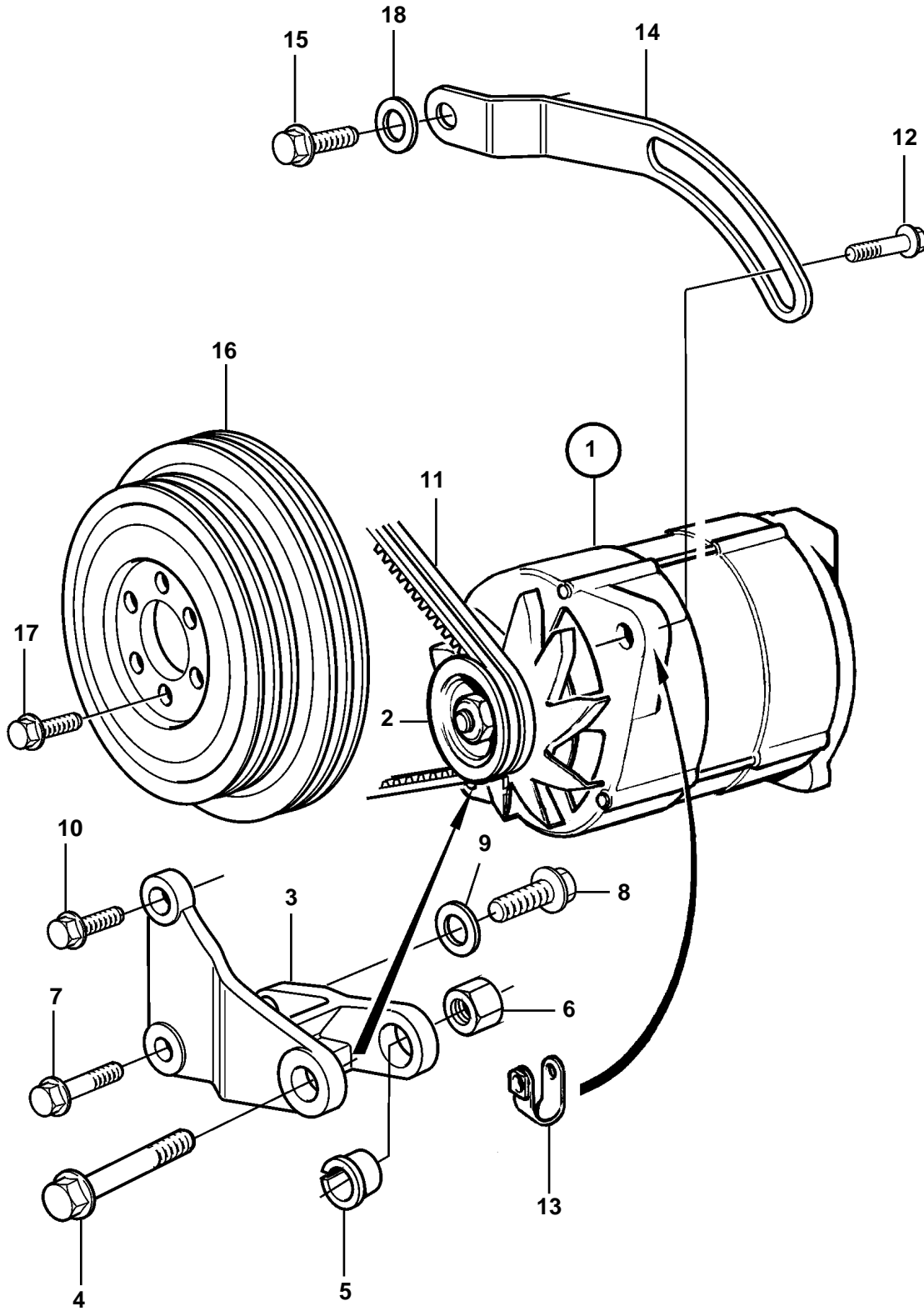


TD164KAE



TD164KAE

REF	PART NO.	QTY	DESCRIPTION	SEE SEC.	NOTES
1	1089862	1	Alternator		28V 80A, E.U=3803394. For 24 voltage electric system. Exchange unit
	3803394	1	Alternator,exch		
				1719	
2	822573	1	Pulley		
3	1675814	1	Bracket		
4	967786	1	Flange screw		
5	1675685	1	Spacer sleeve		
6	971097	1	Nut		
7	948217	1	Flange screw		
8	946471	1	Screw		
9	976945	1	Washer		
10	946671	1	Flange screw		
11	976483	1	V-belt kit		
12	973924	1	Flange screw		
13	466735	1	Tensioning eyelet		
14		1	Tensioner		
15	946472	1	Screw		
16	11032063	1	Pulley		
17	946173	6	Flange screw		
18	946335	1	Washer		