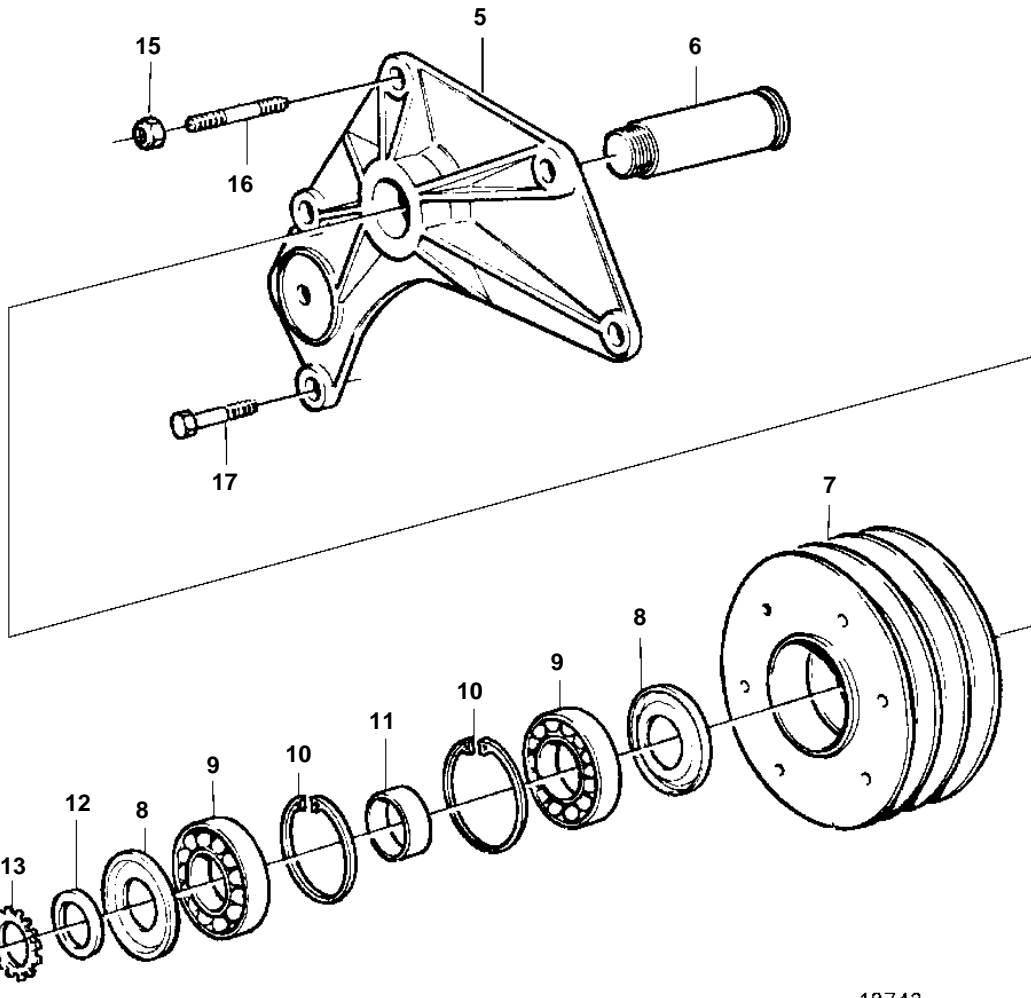
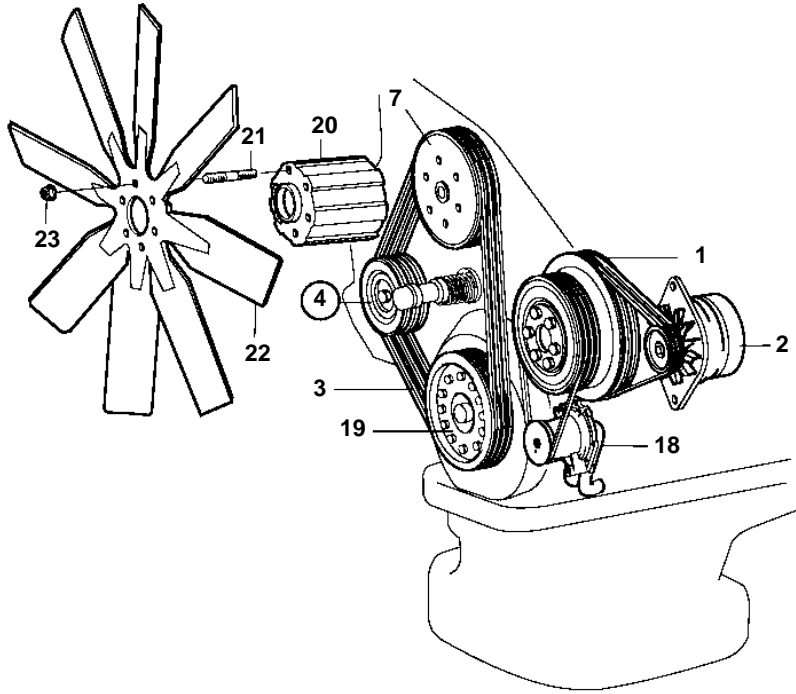


TD164KAE



TD164KAE

REF	PART NO.	QTY	DESCRIPTION	SEE SEC.	NOTES
1		1	Pulley	4873	
2		1	Alternator	4873	
3	967269	1	V-belt kit		
4		1	Belt tensioner	5162	
5		1	Fan bracket	5162	
6	4776841	1	Shaft		
7	3826749	1	Pulley		
8	4785314	2	Sealing ring		
9	184822	2	Ball bearing		
10	914540	2	Lock ring		
11	4776141	1	Spacer sleeve		
12	4776843	1	Spacer ring		
13	907024	1	Lock washer		
14	478955	1	Round nut		(906634)
15	971095	2	Nut		
16	953000	2	Stud		
17	946173	1	Flange screw		
18		1	Circulation pump	4296	
19		1	Pulley	4264	
20	3828711	1	Fan hub		
21	981590	6	Stud		
22	848925	1	Fan		
23	971095	6	Nut		