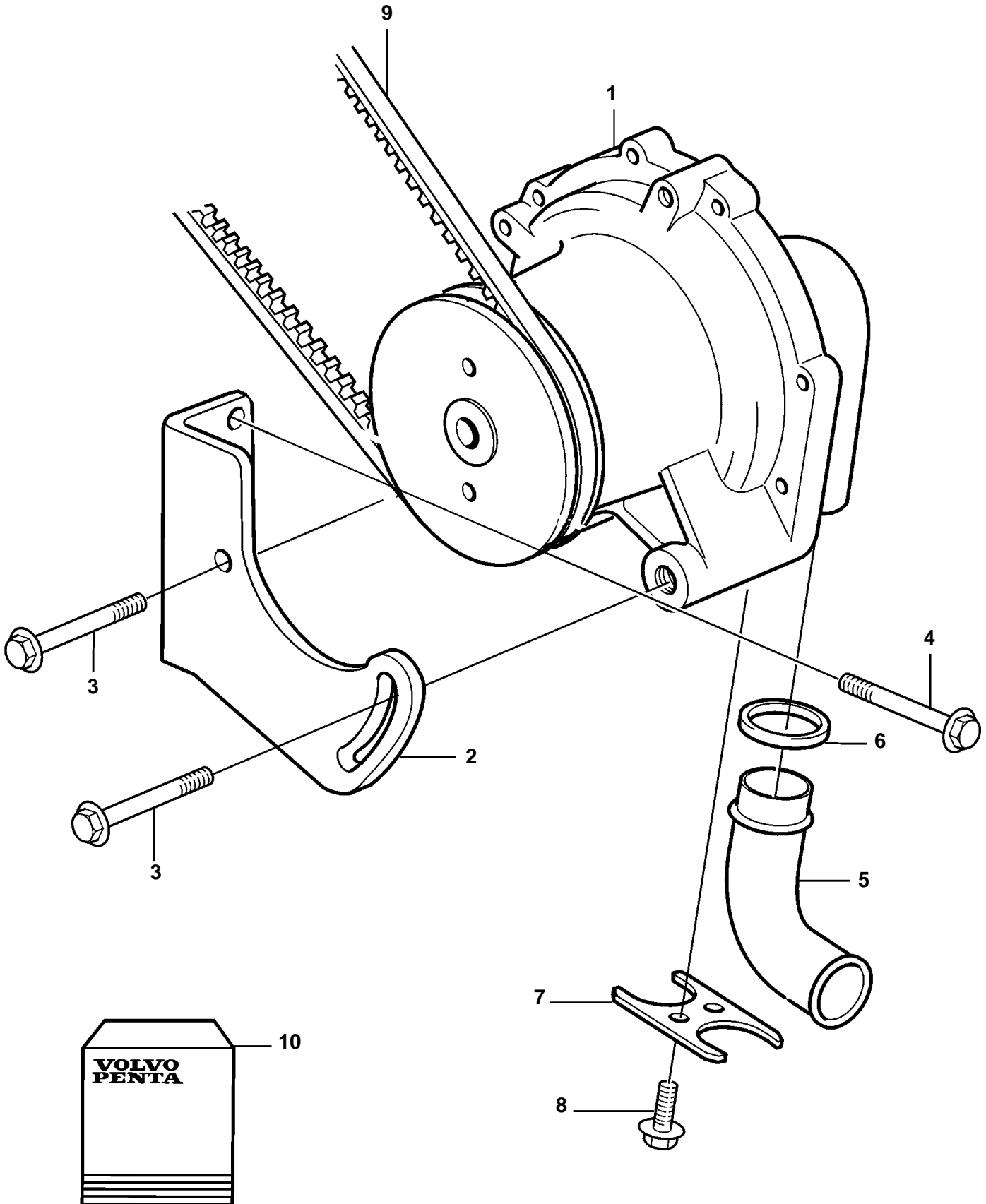


TD164KAE



TD164KAE

REF	PART NO.	QTY	DESCRIPTION	NOTES
1	11032164	1	Circulation pump	
2	11032124	1	Bracket	
3	965227	2	Screw	
4	965191	2	Screw	
5	11030745	2	Connection pipe	
6	11030751	2	Sealing ring	
7	11030747	1	Anchorage	
8	946934	2	Flange screw	
9	977542	1	V-belt	
10	11990043	1	Repair kit	SEE GROUP 99