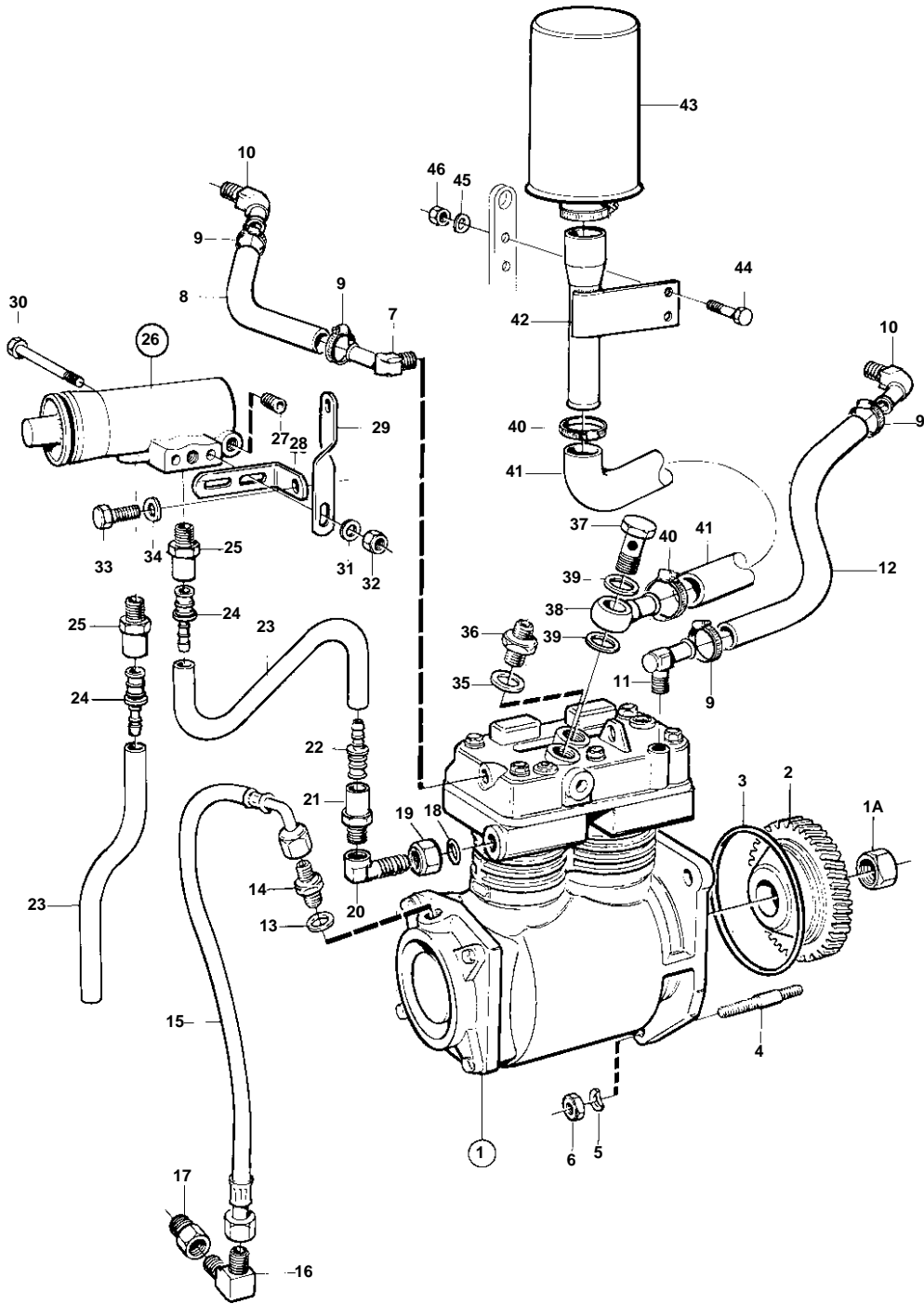


TD121G-87



16034

## TD121G-87

| REF | PART NO. | QTY | DESCRIPTION      | SEE SEC. | NOTES                                                        |
|-----|----------|-----|------------------|----------|--------------------------------------------------------------|
| 1   | 8150407  | 1   | Compressor       |          |                                                              |
|     | 3803262  | 1   | Compressor, exch |          | Exchange unit                                                |
|     |          |     |                  | 1857     |                                                              |
| 1A  | 346918   | 1   | · Nut            |          |                                                              |
| 2   | 478777   | 1   | Gear             |          |                                                              |
| 3   | 975610   | 1   | O-ring           |          |                                                              |
| 4   | 953346   | 3   | Stud             |          |                                                              |
| 5   | 941911   | 3   | Spring washer    |          |                                                              |
| 6   | 955828   | 3   | Nut              |          |                                                              |
| 7   | 976553   | 1   | Nipple           |          |                                                              |
| 8   | 946652   | X   | Hose             |          | L=160mm                                                      |
| 9   | 943472   | 4   | Hose clamp       |          |                                                              |
| 10  | 479975   | 2   | Nipple           |          |                                                              |
| 11  | 979270   | 1   | Nipple           |          |                                                              |
| 12  | 946652   | X   | Hose             |          | L=240mm                                                      |
| 13  | 957173   | 1   | Gasket           |          |                                                              |
| 14  | 963947   | 1   | Nipple           |          |                                                              |
| 15  | 977651   | 1   | Hose             |          |                                                              |
| 16  | 942376   | 1   | Elbow nipple     |          |                                                              |
| 17  | 835980   | 1   | Nipple           |          |                                                              |
| 18  | 949657   | 1   | O-ring           |          |                                                              |
| 19  | 945895   | 1   | Nut              |          |                                                              |
| 20  | 966434   | 1   | Nipple           |          |                                                              |
| 21  | 968696   | 1   | Fitting          |          |                                                              |
| 22  | 976444   | 1   | Fitting          |          |                                                              |
| 23  | 945460   | X   | Plastic pipe     |          |                                                              |
| 24  | 976444   | 2   | Fitting          |          |                                                              |
| 25  | 968694   | 2   | Fitting          |          |                                                              |
| 26  | 1505047  | 1   | Regulator        |          | Replaced by regulator 3944252 and 2 ea spacer washer 946048. |
|     |          |     |                  | 1853     |                                                              |
| 27  | 968060   | 4   | Plug             |          | M10                                                          |
| 28  | 965562   | 1   | Bracket          |          |                                                              |
| 29  | 1136551  | 1   | Bracket          |          |                                                              |
| 30  | 955529   | 2   | Screw            |          |                                                              |
| 31  | 941907   | 2   | Spring washer    |          |                                                              |
| 32  | 955826   | 2   | Nut              |          |                                                              |
| 33  | 940133   | 1   | Screw            |          |                                                              |
| 34  | 942336   | 1   | Spring washer    |          |                                                              |
| 35  | 947628   | 1   | Gasket           |          |                                                              |
| 36  | 978281   | 1   | Nipple           |          |                                                              |
| 37  | 191620   | 1   | Hollow screw     |          |                                                              |
| 38  | 1598185  | 1   | Nipple           |          |                                                              |
| 39  | 947628   | 2   | Gasket           |          |                                                              |
| 40  | 943474   | 2   | Hose clamp       |          |                                                              |
| 41  | 967553   | X   | Hose             |          | L=240mm                                                      |
| 42  | 1587040  | 1   | Bracket          |          |                                                              |
| 43  | 8152010  | 1   | Air filter       |          |                                                              |
| 44  | 955525   | 2   | Screw            |          |                                                              |
| 45  | 955894   | 2   | Washer           |          |                                                              |
| 46  | 955826   | 2   | Nut              |          |                                                              |