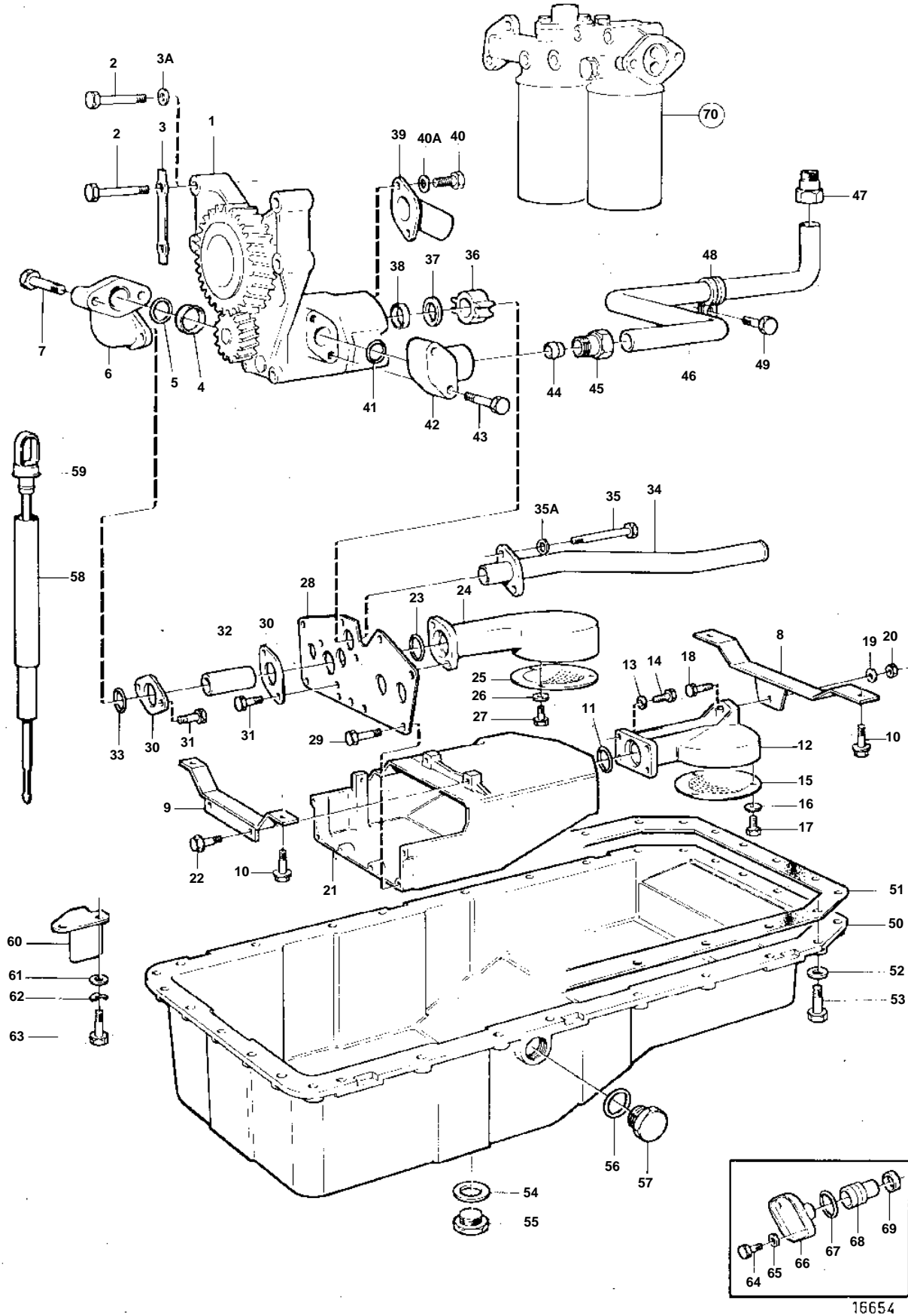


TD121G-87, TWD1230ME



TD121G-87, TWD1230ME

REF	PART NO.	QTY	DESCRIPTION	SEE SEC.	NOTES
1	4778318	1	Oil pump	1830	
2	955538	4	Screw		
3	190529	2	Lock washer		EARLY TYPE
3A	942336	4	Spring washer		LATE TYPE
4	4778328	1	Sleeve		
5	944126	1	O-ring		
6		1	Connector		
7	965179	2	Flange screw		
8		1	Bracket		
9		1	Bracket		
10	948587	4	Lock screw		
11	944126	1	O-ring		
12		1	Strainer housing		
13	955894	4	Washer		
14	948336	4	Lock screw		
15		1	Strainer		
16	955948	3	Lock washer		
17	955268	3	Screw		
18	968232	1	Screw		
19	955894	1	Washer		
20	946036	1	Lock nut		
21		1	Oil reservoir		
22	968232	2	Screw		
23	944126	1	O-ring		
24	4778466	1	Strainer housing	SO	
25		1	Strainer		
26	955948	3	Lock washer		
27	955268	3	Screw		
28		1	Plate		
29	966378	6	Flange screw		
30		2	Flange		
31	968232	4	Screw		
32		1	Tube		
33	944126	1	O-ring		
34		1	Suction pipe		
35	4778436	2	Screw		
35A	955894	2	Washer		
36		1	Spacer		
37		1	Spacer		
38	470383	1	Sealing ring		
39	4778425	1	Tube		
40		2	Screw		
40A	955894	2	Washer		
41	949657	1	O-ring		
42	4778338	1	Flange		
43	965216	2	Screw		
44	956973	1	Ferrule		
45	470377	1	Fitting		
46	4778340	1	Tube		
47	466908	1	Fitting		
48	1545432	1	Clamp		
49	966378	1	Flange screw		
50	4778350	1	Oil pan	SO	
51	478505	1	Gasket		
52	941907	28	Spring washer		
53	940186	28	Screw		
54	18813	1	Gasket		
55	949175	1	Magnetic plug		
56	925064	1	O-ring		
57	960638	1	Plug		
58	4772188	1	Tube	SO	
59	11031503	1	Oil dipstick		

TD121G-87, TWD1230ME

REF	PART NO.	QTY	DESCRIPTION	SEE SEC.	NOTES
60	468653	1	Bracket		
61	976944	2	Washer		(960141)
62	941907	2	Spring washer		
63	940161	2	Screw		
64	940100	2	Screw		
65	949607	2	Spring washer		
66	471752	1	Cover		
67	949658	1	O-ring		
68	471707	1	Reducing valve		
69	469846	1	Sealing ring		
70		1	Oil filter housing	758	