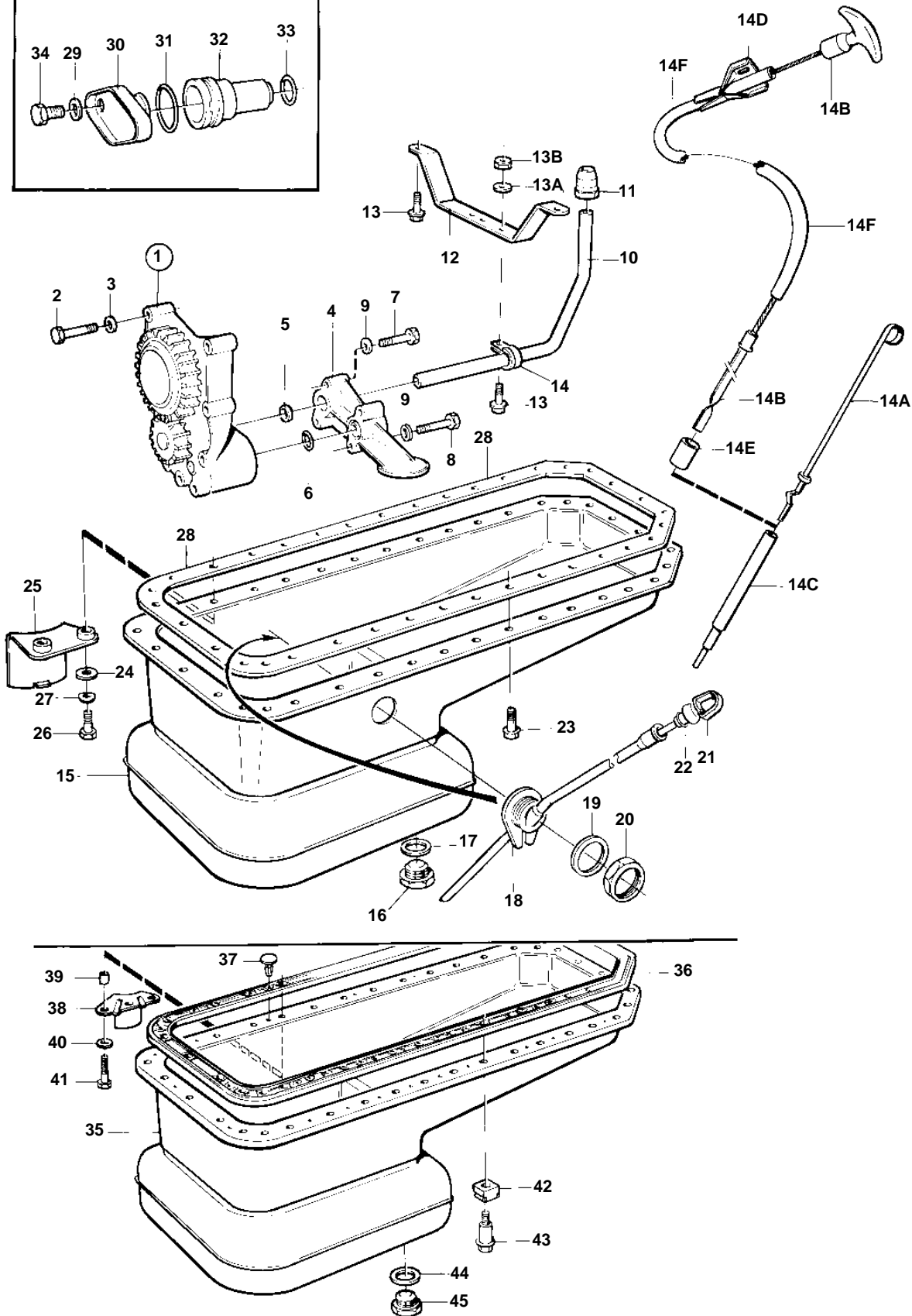
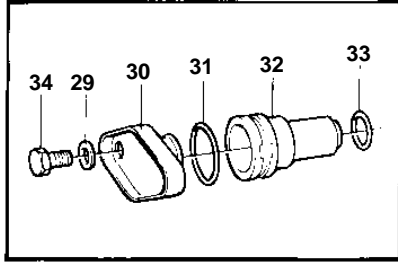


TD121G-87, TWD1230ME



16640

TD121G-87, TWD1230ME

REF	PART NO.	QTY	DESCRIPTION	SEE SEC.	NOTES
1	470343	1	Oil pump		REPLACED BY 478285
				1736	
	478285	1	Oil pump		REPLACED BY 478649
				1736	
	478649	1	Oil pump		
				752	
2	955538	4	Screw		
3	942336	4	Spring washer		
4	479325	1	Oil pump screen		SNXXXXXXXXXX/226440-
5	470263	1	Sealing ring		SNXXXXXXXXXX/226440-
6	949659	1	O-ring		SNXXXXXXXXXX/226440-
7	192546	2	Screw		SNXXXXXXXXXX/226440-
8	959795	2	Screw		SNXXXXXXXXXX/226440-
9	941907	4	Spring washer		SNXXXXXXXXXX/226440-
10	470375	1	Pipe		
11	466908	1	Fitting		
12	470918	1	Bracket		
13	942402	3	Flange screw		
13A	941907	1	Spring washer		
13B	955826	1	Nut		
14	1545432	1	Clamp		
14A	944663	1	Oil dipstick		STD
14B		1	Oil dipstick		Options, extended oil dipstick.
14C	412845	1	Extension		STD
	479328	1	Pipe		Options, extended oil dipstick.
14D	478269	1	Bracket	SO	Options, extended oil dipstick.
14E	941995	1	Rubber hose		L=55mm. Options, extended oil dipstick.
14F		1	Plastic pipe		Options, extended oil dipstick.
15	862008	1	Oil pan		
16	949175	1	Magnetic plug		
17	18813	1	Gasket		
18	3825308	1	Retainer		SNXXXXXXXXXX/226440-
19	468947	1	Sealing ring		
20	468948	1	Nut		
21	3826903	1	Dipstick		(3825310). SNXXXXXXXXXX/226440-
22	925054	1	O-ring		
23	942402	41	Flange screw		
24	966674	2	Washer		
25	468653	1	Bracket		
26	955525	2	Screw		
27	941907	2	Spring washer		
28	478505	1	Gasket		
29	949607	2	Spring washer		
30	471752	1	Cover		
31	949658	1	O-ring		
32	471707	1	Reducing valve		
33	469846	1	Sealing ring		
34	940100	2	Screw		
35		1	Oil pan, low noise		
36	479484	1	Gasket		For low noise oil pan.
37	943353	28	Rivet		For low noise oil pan.
38	479623	1	Bracket		For low noise oil pan.
39	420822	3	Spacer sleeve		For low noise oil pan.
40	976944	3	Washer		(966674). For low noise oil pan.
41	940161	3	Screw		For low noise oil pan.
42	420991	43	Rubber cushion		For low noise oil pan.
43	479068	40	Screw		For low noise oil pan.
44	18813	1	Gasket		
45	949175	1	Magnetic plug		