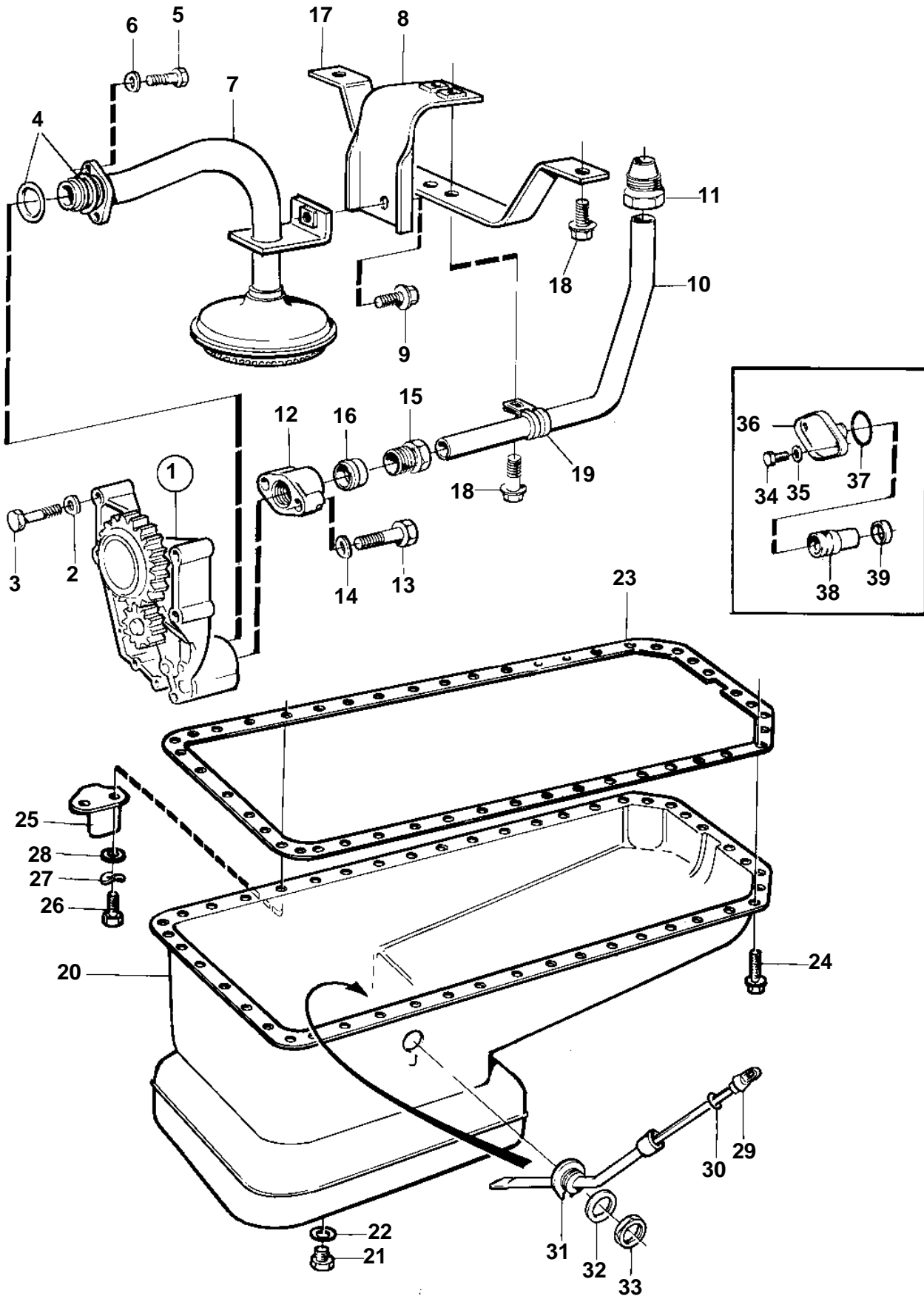


TD121G-87, TWD1230ME



16429

TD121G-87, TWD1230ME

REF	PART NO.	QTY	DESCRIPTION	SEE SEC.	NOTES
1	470343	1	Oil pump		REPLACED BY 478285
				1736	
	478285	1	Oil pump		REPLACED BY 478649
				1736	
	478649	1	Oil pump		
				752	
2	942336	4	Spring washer		
3	955538	4	Screw		
4	470383	2	Sealing ring		SN-2120226439
5	955533	2	Screw		SN-2120226439
6	941907	2	Spring washer		
7	470379	1	Strainer		SN-2120226439
8	470385	1	Bracket		SN-2120226439
9	942402	1	Flange screw		SN-2120226439
10	470375	1	Pipe		
11	466908	1	Fitting		
12	470376	1	Intermediate section		SN-2120226439
13	959794	2	Screw		SN-2120226439
14	941907	2	Spring washer		
15	470377	1	Fitting		SN-2120226439
16	956973	1	Ferrule		SN-2120226439
17	470918	1	Bracket		
18	942402	4	Flange screw		
19	1545432	1	Clamp		
20	862008	1	Oil pan		
21	949175	1	Magnetic plug		
22	18813	1	Gasket		
23	478505	1	Gasket		
24	942402	41	Flange screw		
25	468653	1	Bracket		
26	955525	2	Screw		
27	941907	2	Spring washer		
28	976944	2	Washer		(966674)
29	862012	1	Oil dipstick		SN-2120226439
30	925054	1	O-ring		
31	862016	1	Retainer		SN-2120226439
32	468947	1	Sealing ring		
33	468948	1	Nut		
34	940100	2	Screw		
35	949607	2	Spring washer		
36	471752	1	Cover		
37	949658	1	O-ring		
38	471707	1	Reducing valve		
39	469846	1	Sealing ring		