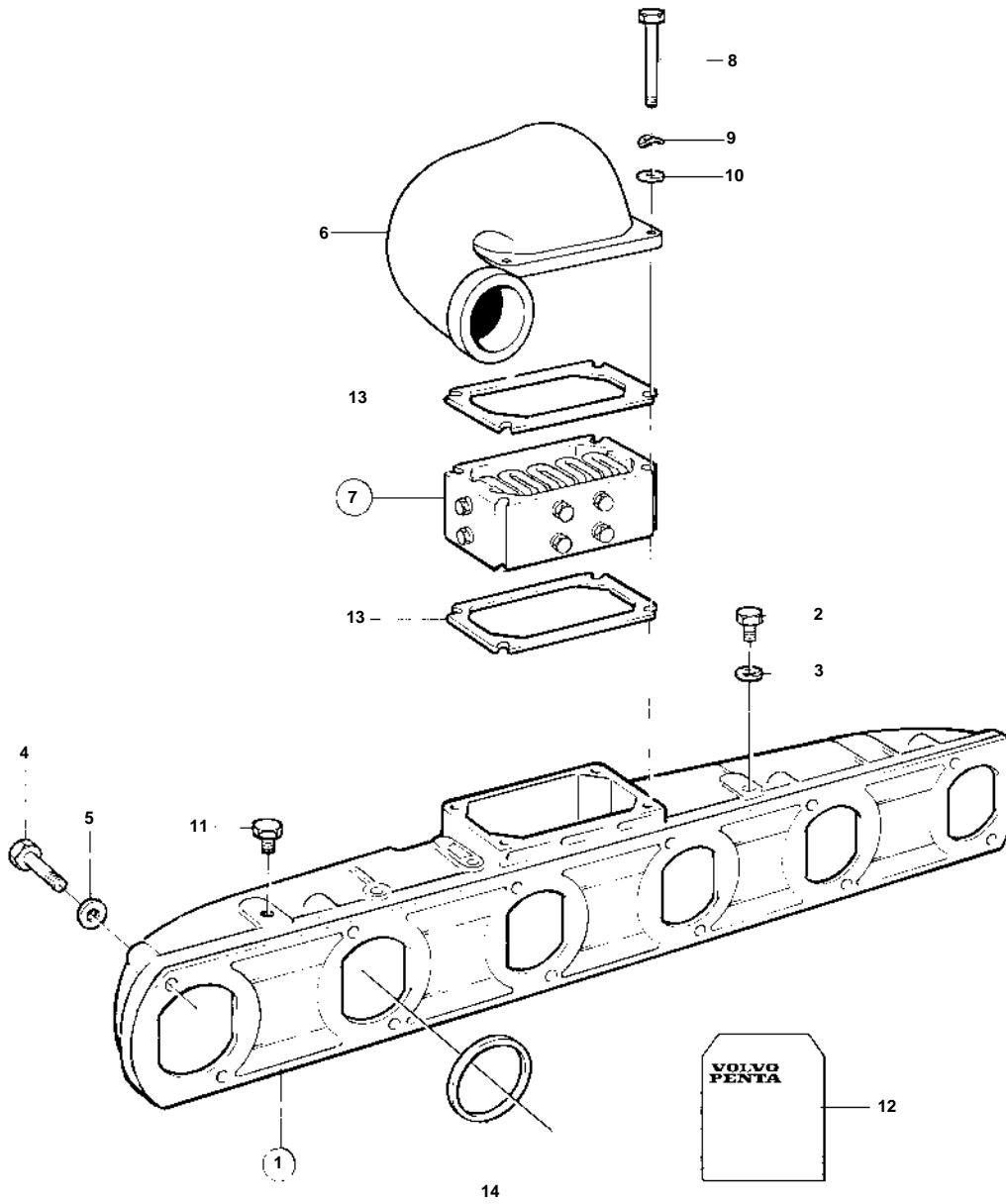


TD121G-87



15622

TD121G-87

| REF | PART NO. | QTY | DESCRIPTION | SEE SEC. | NOTES |
|-----|----------|-----|--------------------------------|----------|-----------------------|
| 1 | 8193866 | 1 | Inlet pipe | | (478331) |
| 2 | 960631 | 1 | Plug | | M16x12mm |
| | 940113 | 1 | Screw | | 5/16UNCx13mm |
| 3 | 11996 | 1 | Gasket | | FOR 960631 |
| | 957171 | 1 | Gasket | | FOR 940113 |
| 4 | 955527 | 6 | Screw | | L=57mm |
| | 942624 | 1 | Screw | | L=13mm |
| | 959795 | 2 | Screw | | L=140mm |
| | 955530 | 3 | Screw | | L=83mm |
| 5 | 955894 | 12 | Washer | | |
| 6 | 847260 | 1 | Connection pipe | | |
| 7 | 471867 | 1 | Starter element | | |
| | | | | 608 | |
| 8 | 955532 | 4 | Screw | | |
| 9 | 941907 | 4 | Spring washer | | |
| 10 | 955894 | 4 | Washer | | |
| 11 | 479979 | 1 | Plug | | |
| 12 | 876956 | 1 | Gasket kit, induction manifold | | SEE GROUP 99 (876404) |
| 13 | 424618 | 2 | • Gasket | | |
| 14 | 469830 | 6 | • Rubber ring | | |