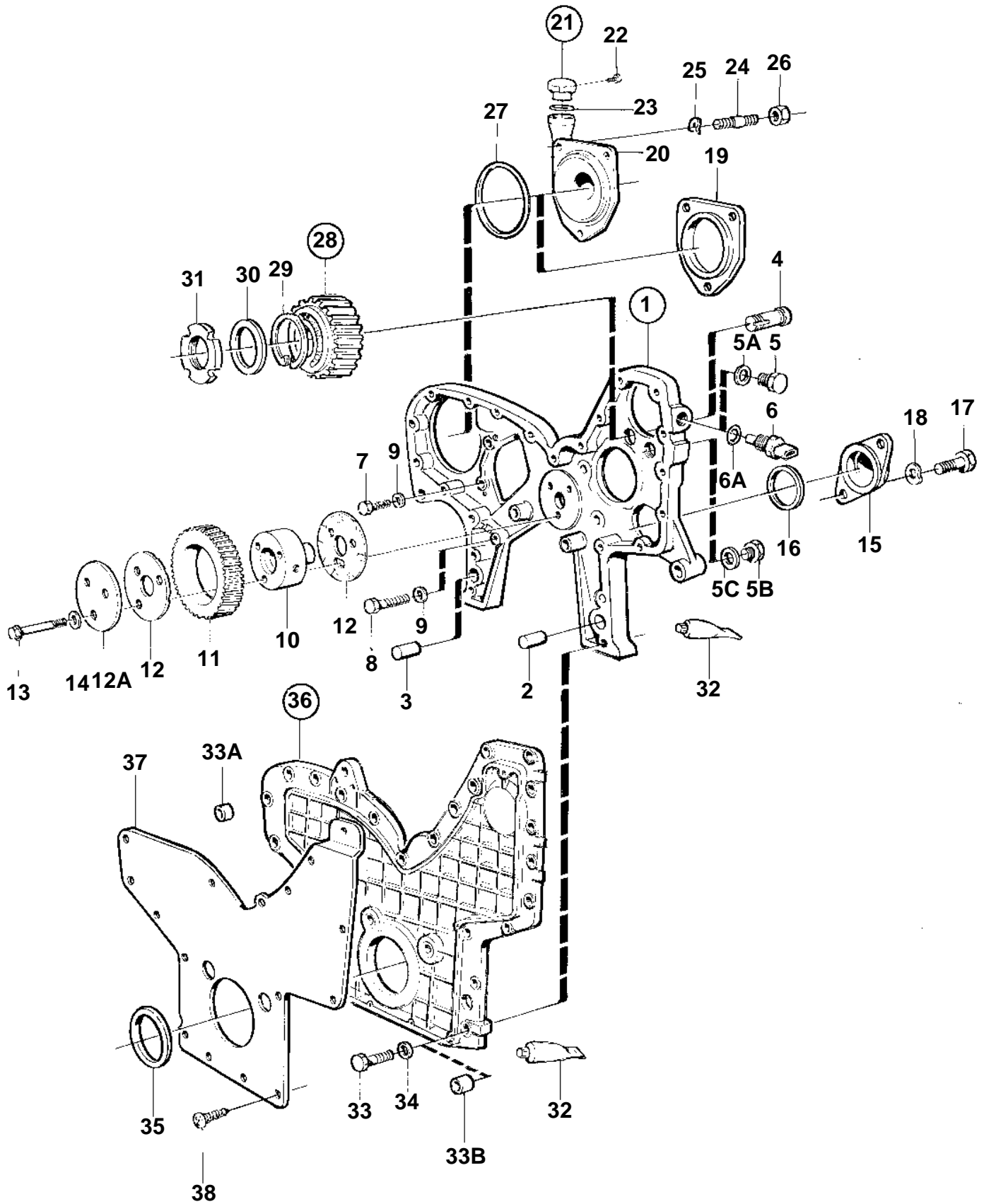


TWD1230ME



15822

TWD1230ME

REF	PART NO.	QTY	DESCRIPTION	NOTES
1	8194639	1	Timing gear casing	(479666)
2	941510	1	• Pin, 18x48mm	
3	941511	1	• Pin, 18x56mm	
4	8194626	1	• Pin	(470219)
5	960633	2	• Plug	M20
5A	947625	2	• Gasket	
5B	192114	1	Plug	7/8UNF
5C	18677	1	Gasket	
6	862289	1	Sender, rpm	
6A	949656	1	O-ring	
7	941939	4	Screw	L=29mm
8	955537	1	Screw	L=51mm
9	942336	5	Spring washer	
10	479779	1	Spindle	SO
11	479653	1	Gear	
12	478951	2	Thrust washer	
12A	478954	1	Bearing shield	
13	468738	3	Screw	
14	942180	3	Washer	
15	468093	1	Cover, hydraulic pump	
16	468094	1	Sealing ring	
17	955535	2	Screw	
18	942336	2	Spring washer	
19	420178	1	Cover, air compr.	
20	849197	1	Tube, oil filling	
21	421753	1	Oil filler cap	
22	955126	3	• Screw	
23	940096	1	Gasket	
24	953346	3	Stud	
25	941911	3	Spring washer	
26	955828	3	Nut	
27	975610	1	O-ring	
28	478959	1	Idler gear, incl. bearing	
29	914532	1	• Snap ring	
30	470427	1	Wear ring	SN-XXXXXXXXXX/247033. For pin 470219.
31	478955	1	Round nut	
32	1161231	X	Sealant	304ml
	1161277	X	Sealant	20g
33	941939	4	Screw	L=28,6mm
	940162	10	Screw	L=38mm
	955536	2	Screw	L=45mm
	955537	1	Screw	L=51mm
	940156	1	Screw, cable attachment	L=89mm, LATE TYPE
	955540	2	Screw	L=70mm
	955542	10	Screw	L=83mm
	955544	1	Screw, cable attachment	L=102mm, LATE TYPE
33A	821540	1	Spacer sleeve, cable attachment	L=22mm, LATE TYPE
33B	820916	1	Spacer sleeve, cable attachment	L =38mm, LATE TYPE
34	942336	27	Spring washer	
35	424983	1	Sealing ring	
36	479652	1	Timing gear cover	
37	479625	1	• Plate	
38	972541	16	• Screw	