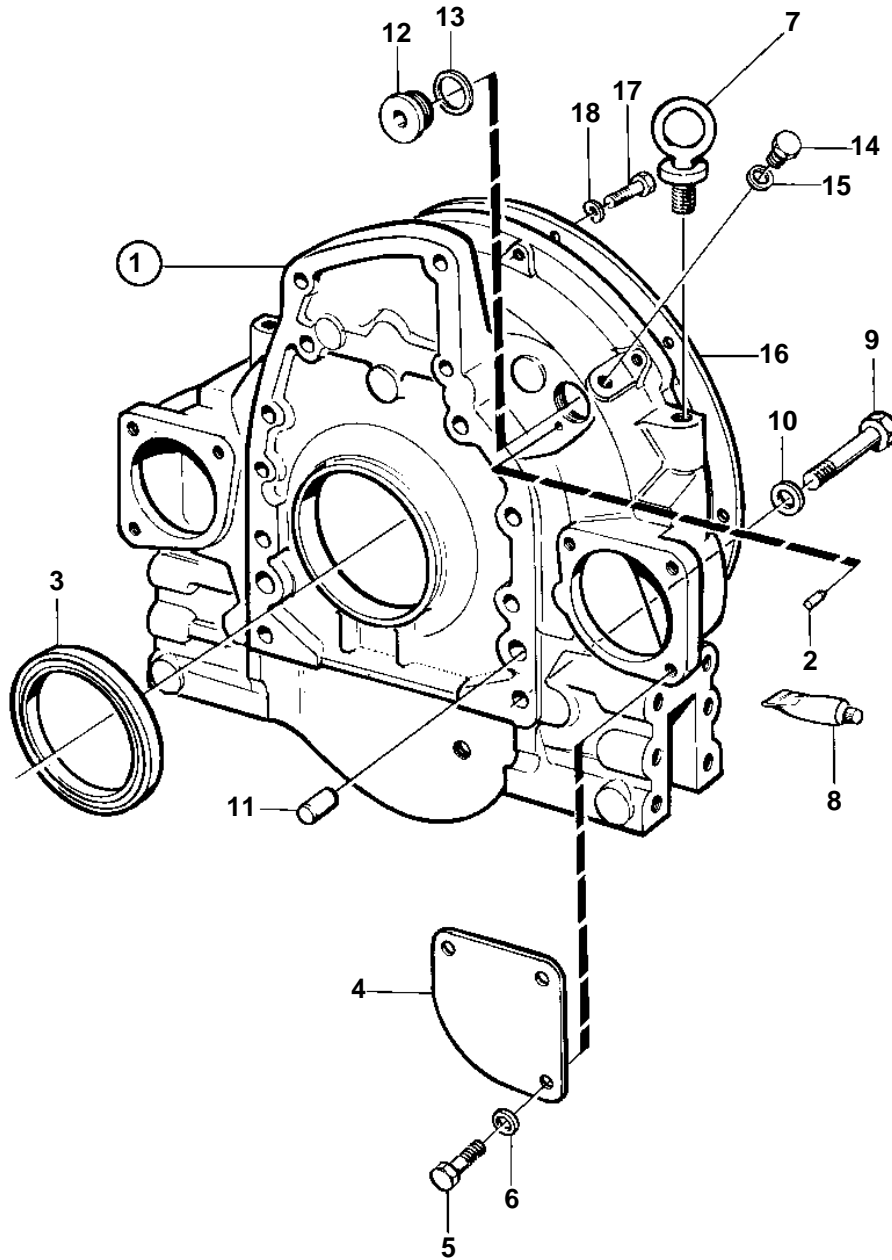


TD121G-87, TWD1230ME



15007

TD121G-87, TWD1230ME

REF	PART NO.	QTY	DESCRIPTION	NOTES
1	848961	1	Flywheel housing	SAE 1
2	403270	1	• Pin	
3	469336	1	Sealing ring	STD (849567)
4	423081	1	Flange	
5	940114	3	Screw	
6	942336	3	Spring washer	
7	942345	2	Lifting eye	SO
8	1161231	X	Sealant	304ml
	1161277	X	Sealant	20g
9	955582	2	Screw	L=70mm
	955587	2	Screw	L=102mm
	955580	8	Screw	L=57mm
10	941911	12	Spring washer	
11	191171	2	Pin	
12	467365	2	Plug	
13	469327	2	Gasket	
14	180761	2	Plug	
15	11996	2	Gasket	
16	803172	1	Spacer ring	CLARK 36000
	803172	1	Spacer ring	CLARK 34000, C5000, C8000
17	955549	X	Screw, 7/16UNCx45mm	CLARK 36000
	955550	X	Screw, 7/16UNCx51mm	CLARK 34000, C5000, C8000
18	941909	X	Spring washer	