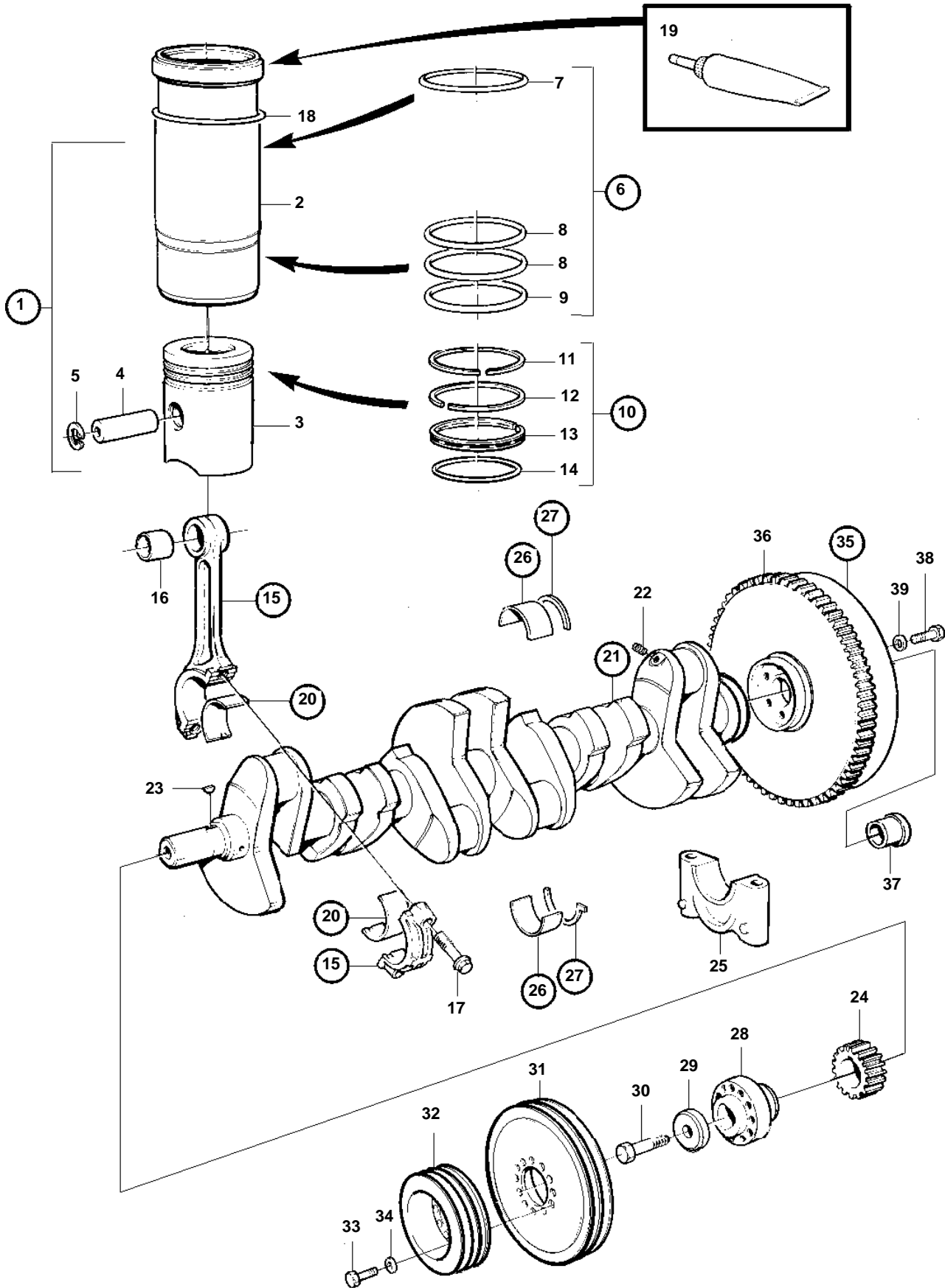


TWD1230ME



TWD1230ME

REF	PART NO.	QTY	DESCRIPTION	SEE SEC.	NOTES
1	275642	6	Cylinder liner kit		
2		6	· Cylinder liner		
3		6	· Piston		
4	8193838	6	· Piston pin		(479876)
5	914530	12	· Lock ring		
6	270950	6	· Sealing ring kit		
7		6	· · Sealing ring		
8		12	· · Sealing ring		
9		6	· · Sealing ring		
10	276167	6	· Piston ring kit		
11		6	· · Compression ring		
12		6	· · Compression ring		
13		6	· · Oil scraper ring		
14		6	· · Expanding ring		
15	478437	6	Connecting rod		
16	470304	6	· Bushing		
17	1545479	12	· Screw		
18	468271	X	Shim		TH=0,20mm
	468272	X	Shim		TH = 0,30mm
	468273	X	Shim		TH = 0,50mm
19	1161277	X	Sealant		10g
20	270130	6	Big end bearing kit		STD D
	270131	6	Big end bearing kit		0,25mmU.S
	270132	6	Big end bearing kit		0,50mm UNDER SIZE
	270133	6	Big end bearing kit		U.S=0,75mm
	270134	6	Big end bearing kit		U.S=1,00mm
	270135	6	Big end bearing kit		U.S=1,25mm
21	3137528	1	Crankshaft		(865032)
	865032	1	· Crankshaft		Without gear.
22	978130	6	· · Plug		
23	422253	1	· Woodruff key		
24	423080	1	· Crankshaft gear		
			· Bulletin 45-01	45-01-EN	Timing Gears, 71, 100, 121
25		7	Bearing cap		
26	270449	7	Main bearing kit		STD D
	270450	7	Main bearing kit		0,25mmU.S
	270451	7	Main bearing kit		0,50mm UNDER SIZE
	270452	7	Main bearing kit		U.S=0,75mm
27	276791	1	Thrust washer kit		STD D
	276792	1	Thrust washer kit		O.S=0,10mm
	276793	1	Thrust washer kit		O.S=0,20mm
28	424958	1	Hub		
29	422124	1	Washer		
30	941494	1	Screw		
31	866393	1	Vibration damper		
32	468187	1	Pulley		
33	955549	6	Screw		L=45mm
34	941909	6	Spring washer		
35	3825104	1	Flywheel		CLARK 34000, 36000. For flexplate. C5000, C8000
	866776	1	Flywheel		CLARK 34000, C5000, C8000. For ring gear.
	864997	1	Flywheel		Flywheel for flexible coupling and 14" friction clutch.
36	420794	1	· Gear ring		
37	3825105	1	· Bushing		FOR 3825104
	849326	1	· Bushing		FOR 866776
38	941570	14	Screw		FOR 3825104
	478717	14	Screw		FOR 866776,864997
39	467773	14	Washer		

7745740 - 21 - 1840

17240

Upd: 21 NOV 2005