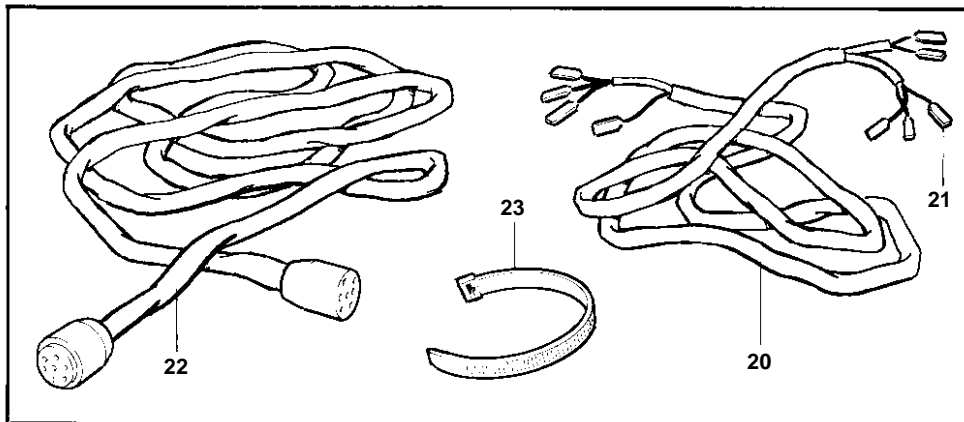
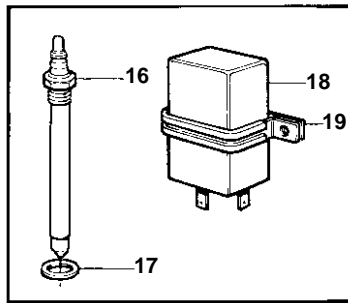
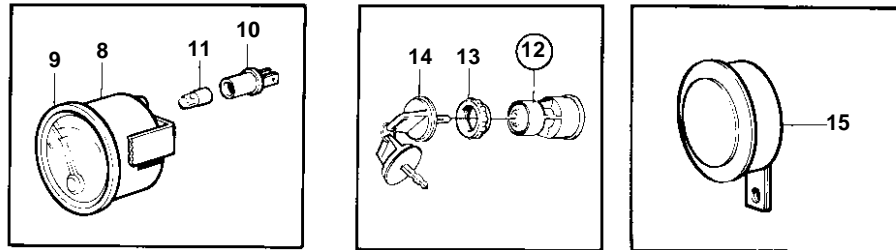
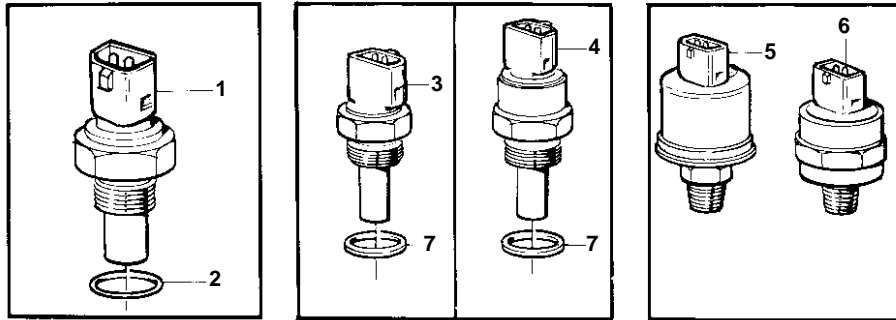


TD121G-87, TWD1230ME



15972

## TD121G-87, TWD1230ME

REF	PART NO.	QTY	DESCRIPTION	SEE SEC.	NOTES
1	862289	1	Sender, rpm		
2	949656	1	O-ring		(925059)
3	862154	1	Temperature sensor, coolant water temp.		MAX 120°C
4	862250	1	Thermo monitor, coolant water temp.		97°C
	848829	1	Temperature sensor, coolant water temp.		103°C
5	866835	1	Pressure sensor, oil-engine		(862155)
6	863169	1	Pressure monitor, oil pressure		0,7bar
7	947624	2	Gasket		
8	854908	1	Tachometer, hour/tachometer		24V. Replaced by operating clock/tachometer 873722 and intermediate ring 873721.
	872040	1	Instrument, tachometer		24V. Replaced by operating clock/tachometer 873722 and intermediate ring 873721.
	872479	1	Hour counter, hour meter		12V-24V
	849848	1	Thermometer, coolant water temp.		
	849849	1	Oil pressure gauge, oil pressure		
	862096	1	Voltmeter		24V
9	858644	1	Front ring		O.S=95mm, FOR 872040
	858643	1	Front ring		O.S=65mm, FOR 872479
10	808175	X	Bulb socket		FOR 854908,872040,. For bulb with base BA 7s. 849848, 849849, 862096
	863945	1	Bulb socket		FOR 872479. For bulb with base W2X4,6d.
11	828818	X	Bulb		24Vx2W BA 7S
	182059	X	Bulb		24Vx3W BA 7S
	863946	X	Bulb		12Vx1,2W W2x4,6d
	863947	X	Bulb		24Vx1,2W W2x4,6d
12	864277	1	Starter switch		
13	859955	1	· Plastic nut		
14	859953	2	· Key		State key code when ordering.
			· Bulletin 49-30	49-30-EN	Key P/N 859953
15	8143028	1	Horn		24V, (872874)"
16	1581232	1	Level indicator		L=86mm. Not for expansion tank made of plastic.
	1581226	1	Level indicator		L=136mm (849371). For expansion tank made of plastic.
17	11994	1	Gasket		
18	1622515	1	Level relay		
19	941772	1	Clamp		
20	863867	X	Cable trunk, extension		L=2500mm
	863868	X	Cable trunk, extension		L=8000mm
21	866894	1	Wiring harness		(862218) ENGINE
22		X	· Electrical materials	1963	
23	948211	X	Strip clamp		FOR 866894 (948210)