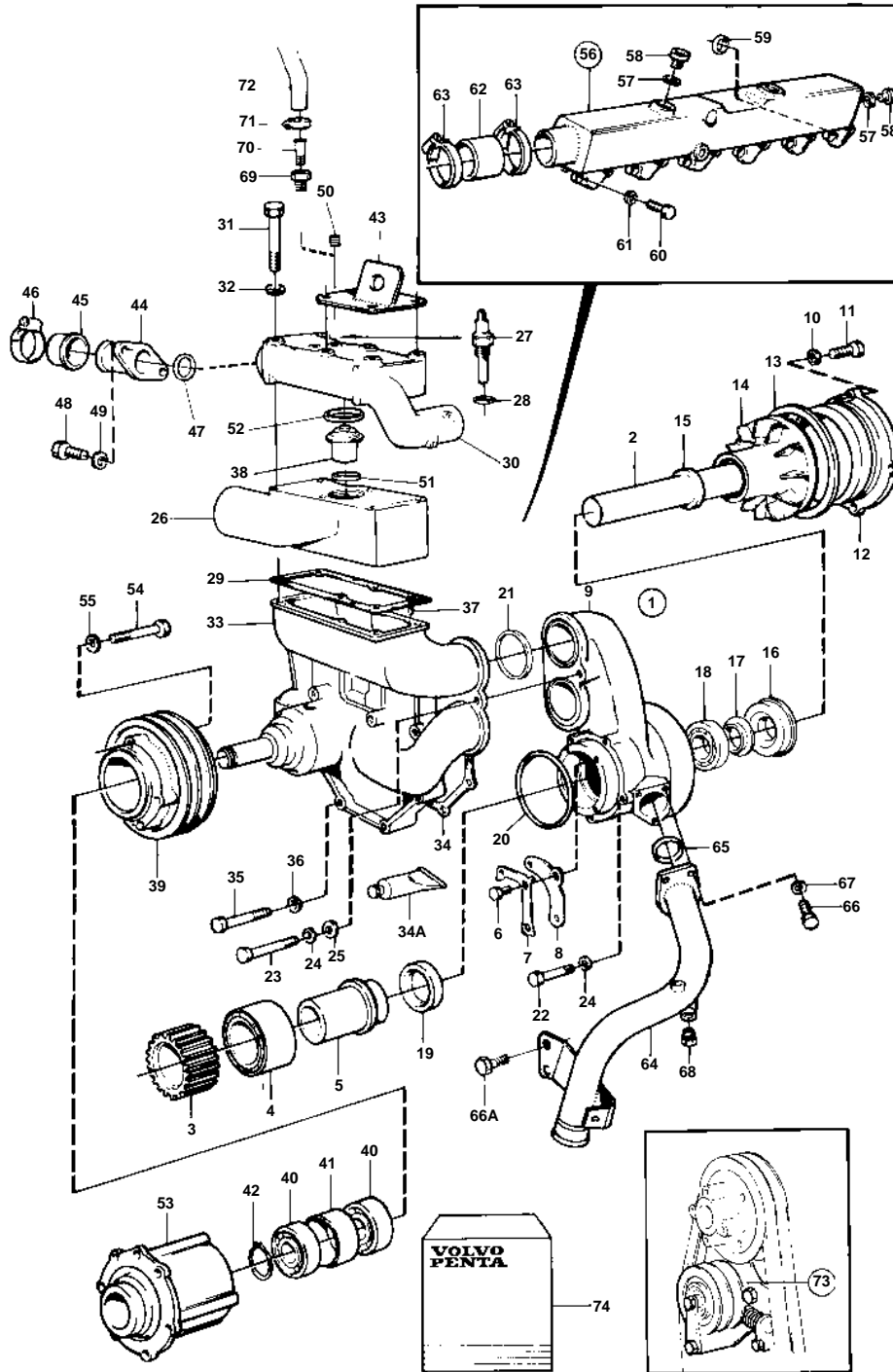


TD121G-87



15448

TD121G-87

REF	PART NO.	QTY	DESCRIPTION	SEE SEC.	NOTES
1	1545261	1	Water pump		SN-2120214925 REPL BY 8149937
2	468249	1	· Shaft		
3	470265	1	· · Gear		
			· · Bulletin 45-01	45-01-EN	Timing Gears, 71, 100, 121
4	181286	1	· · Ball bearing		
5	468247	1	· · Pin		
6	940100	3	· Screw		
7	1545359	1	· Lock washer		
8	1545358	2	· Lock washer		
9		1	· Housing	NS	
10	941906	4	· Spring washer		
11	955513	4	· Screw		
12	469418	1	· Cover		
13	925262	1	· O-ring		
14	468244	1	· Impeller		REPL BY 8121826+1676432
	8121826	1	· Impeller		
15	421306	1	· Wear ring		
16	1545283	1	· Sealing ring		FOR 468244
	1676432	1	· Sealing ring		FOR 8121826
17	70913	1	· Deflector		
18	1660609	1	· Ball bearing		
19	958811	1	· Sealing ring		
20	925257	1	O-ring		
21	1664473	2	O-ring		
22	955542	4	Screw		
23	955535	1	Screw		
24	942336	5	Spring washer		
25	940097	1	Washer		
26	470396	1	Thermostat housing		
27		1	Temperature sensor		SE GROUP 30
28		1	Gasket		SE GROUP 30
29	423352	1	Gasket		
30	862338	1	Thermostat housing		
31	959798	6	Screw		
32	940097	2	Washer		
33	468635	1	Lower section		
34	423351	1	Gasket		If gasket has been used, gasket should be used again.
34A	1161231	X	Sealant		
35	955535	5	Screw		L=32mm
	955541	2	Screw		L=76mm
36	942336	7	Spring washer		
37	951973	2	Grooved pin		
38	8149186	1	Thermostat		86°C (1676306)
39	468445	1	Pulley		
40		2	Ball bearing		Replaced by repair kit 876613, which contains 2 ea ball bearings, spacer sleeve and circlip.
41		1	Spacer sleeve		Replaced by repair kit 876613, which contains 2 ea ball bearings, spacer sleeve and circlip.
42		1	Lock ring		Replaced by repair kit 876613, which contains 2 ea ball bearings, spacer sleeve and circlip.
43	475888	1	Anchorage		
44	845435	1	Connection pipe		
45	845422	1	Cap		
46	943475	1	Hose clamp		
47	949658	1	O-ring		
48	940135	2	Screw		
49	941907	2	Spring washer		
50	479977	2	Plug		(952077)
51	1544710	1	Sealing ring		
52	1544410	1	Sealing ring		
53	476976	1	Hub		
54	955536	4	Screw		

7745740 - 26 - 1780

15448

Upd: 21 NOV 2005

TD121G-87 SN-38631, TWD1230ME



TD121G-87

REF	PART NO.	QTY	DESCRIPTION	SEE SEC.	NOTES
55	942336	4	Spring washer		
56	847512	1	Water pipe		REPL BY 479601. 468463 and 467366 is included.
	479601	1	Water pipe		468463 and 467366 is included.
57	468463	X	Gasket		3 ea are included in water pipe 847512. 1 ea is included in water pipe 479601.
58	467366	X	Plug		3 ea are included in water pipe 847512. 1 ea is included in water pipe 479601.
59	423281	6	Sealing ring		
60	955525	12	Screw		
61	941907	12	Spring washer		
62	470464	1	Hose		
63	943479	2	Hose clamp		
64	847449	1	Connection pipe		
			Bulletin 46-14	46-14-EN	New circulation pump pipe for TD1210 and TAD1230
65	925092	1	O-ring		
66	940135	3	Screw		
66A	955536	2	Screw		
67	941907	3	Spring washer		
68	479977	2	Plug		(952077)
69	479954	1	Nipple		(190130)
70	192555	1	Nipple		
71		X	Hose clamp	1793	
72		X	Hose	1793	
73		1	Belt tensioner	1787	
74	275615	1	Repair kit, water pump		(875842) SEE GROUP 99