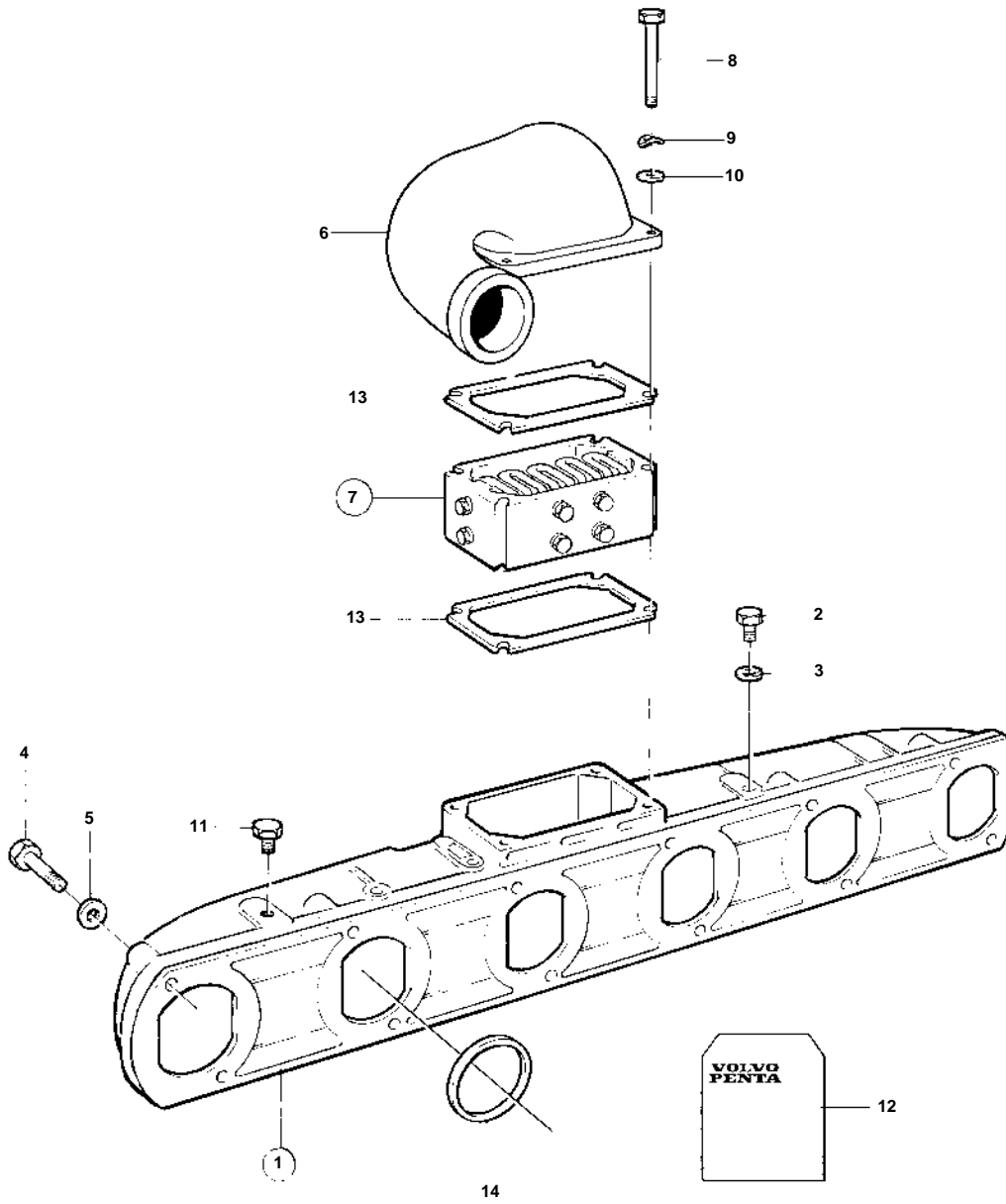


TD121GP-87



15622

TD121GP-87

REF	PART NO.	QTY	DESCRIPTION	SEE SEC.	NOTES
1	8193866	1	Inlet pipe		(478331)
2	960631	1	Plug		M16x12mm
	940113	1	Screw		5/16UNCx13mm
3	11996	1	Gasket		FOR 960631
	957171	1	Gasket		FOR 940113
4	955527	6	Screw		L=57mm
	942624	1	Screw		L=13mm
	959795	2	Screw		L=140mm
	955530	3	Screw		L=83mm
5	955894	12	Washer		
6	847260	1	Connection pipe		
7	471867	1	Starter element		
				608	
8	955532	4	Screw		
9	941907	4	Spring washer		
10	955894	4	Washer		
11	479979	1	Plug		
12	876956	1	Gasket kit, induction manifold		SEE GROUP 99 (876404)
13	424618	2	• Gasket		
14	469830	6	• Rubber ring		