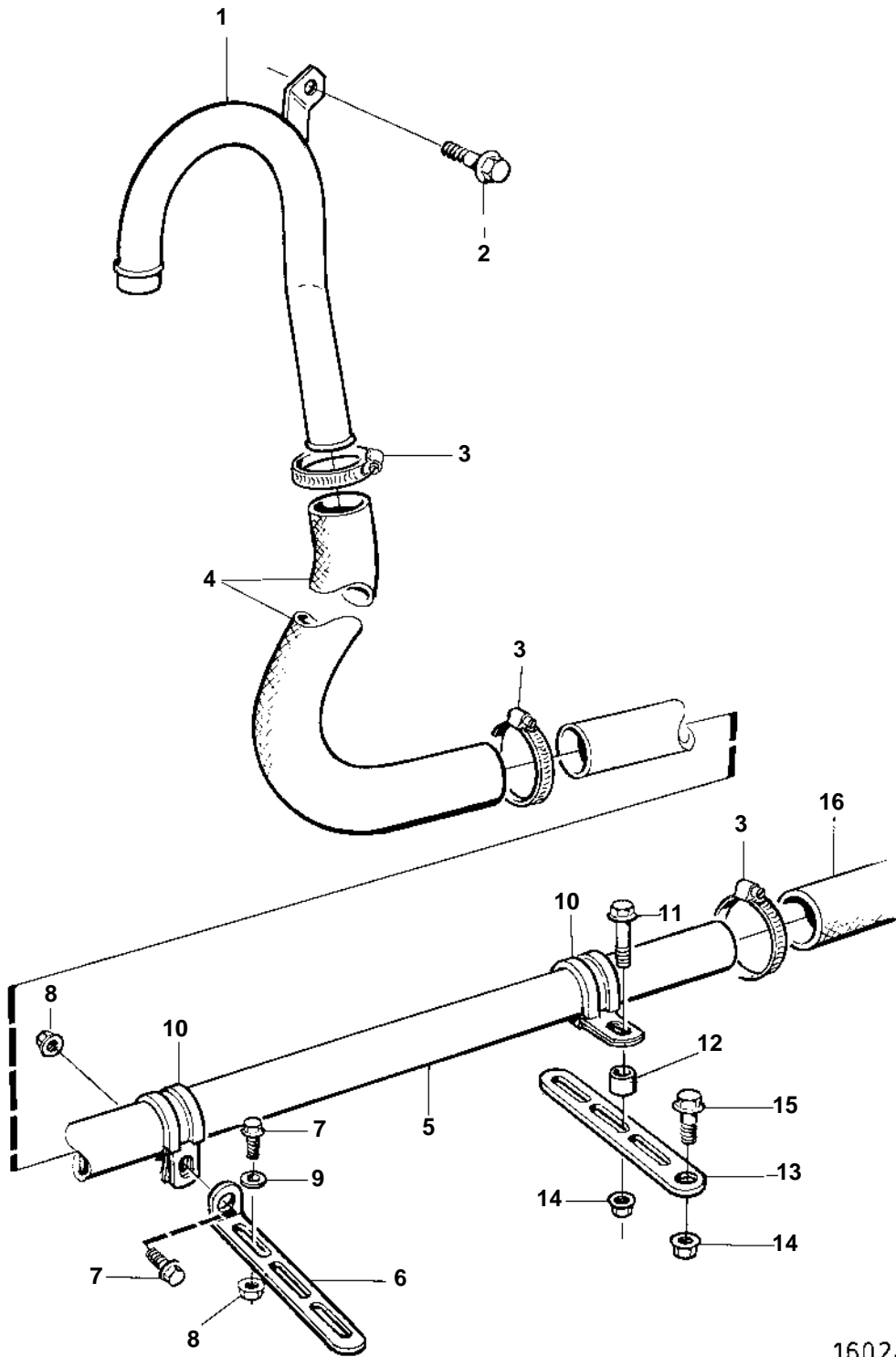


TAD1230P



16024

TAD1230P

REF	PART NO.	QTY	DESCRIPTION	NOTES
1	3825294	1	Breather pipe	
2	942402	1	Flange screw	
3	943476	3	Hose clamp	
4	942707	X	Rubber hose	L=700mm
5	3825326	1	Tube	
6	965561	1	Bracket	
7	946440	2	Flange screw	
8	945408	2	Flange nut	
9	960142	1	Washer	
10	952637	2	Clamp	
11	965212	1	Screw	
12	846339	1	Spacer sleeve	
13	965543	1	Bracket	
14	945407	2	Flange nut	
15	946544	1	Flange screw	
16	942707	X	Rubber hose	L=200mm