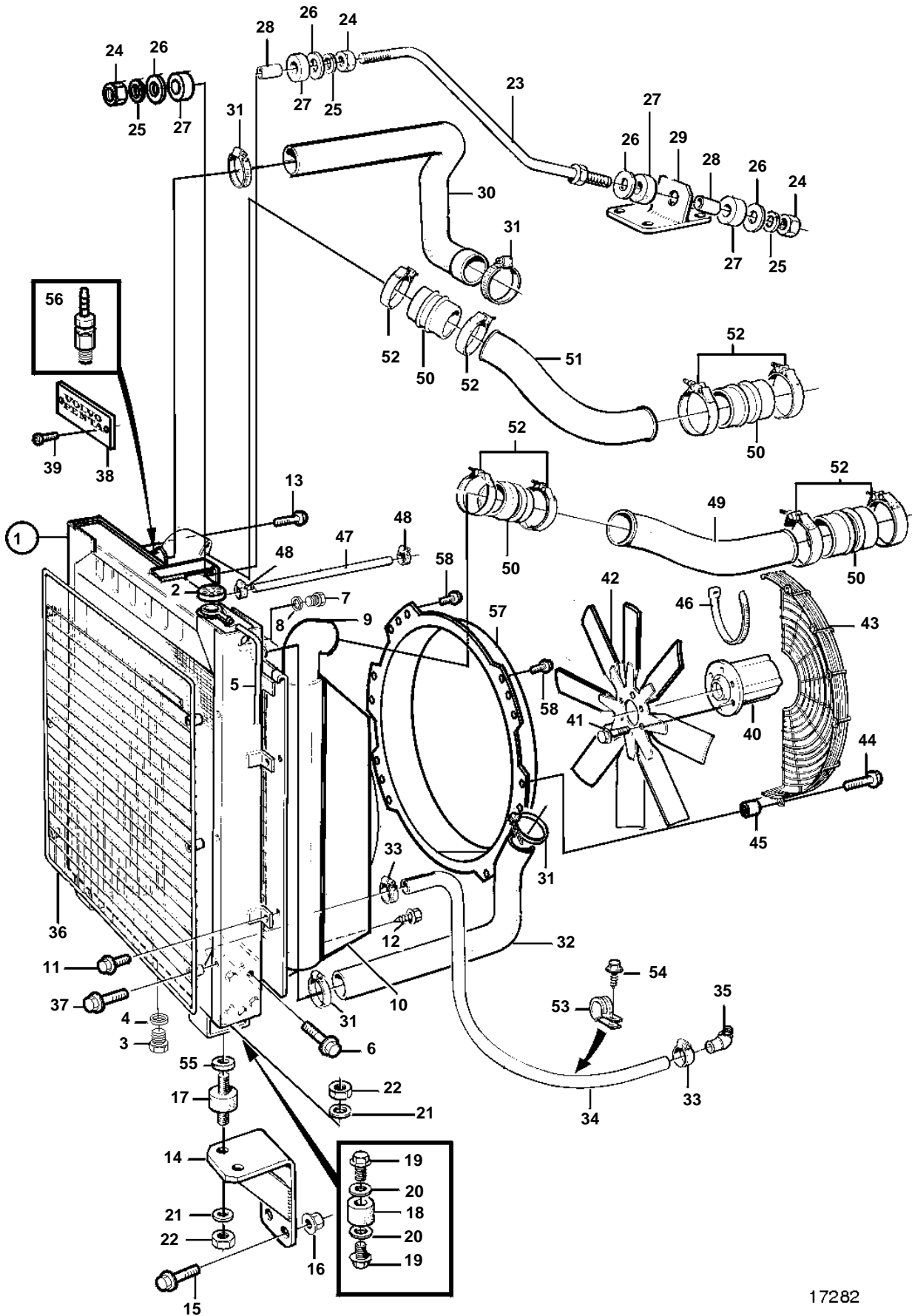


TAD1230P



17282

## TAD1230P

REF	PART NO.	QTY	DESCRIPTION	NOTES
1	866089	1	Radiator	1,10m2.
2	866095	1	• Pressure cap	
3	960630	1	• Plug	
4	969011	1	• Gasket	
5	192618	X	• Hose	L=1530mm
6	946441	8	• Screw	
7	947660	1	• Plug	
8	11994	1	• Gasket	
9	866090	1	Intercooler	
10	866091	1	Fan shroud	EARLY TYPE, FOR 865884
	3825747	1	Fan shroud	LATE TYPE FOR 3825490
11	946173	4	Flange screw	
12	966862	2	Screw	
13	965175	4	Screw	
14	865786	2	Anchorage	
15	946329	4	Flange screw	
16	971098	4	Flange lock nut	
17	849170	2	Rubber cushion	
18	866856	2	Spacer	When rubber cushions are not used for the radiator.
19	946502	4	Screw	When rubber cushions are not used for the radiator.
20	940280	4	Spring washer	When rubber cushions are not used for the radiator.
21	940280	4	Spring washer	
22	955850	4	Nut	
23	865210	1	Anchorage	
24	955793	3	Nut	
25	941912	3	Spring washer	
26	948556	4	Washer	
27	866857	4	Rubber bushing	
28	252202	2	Bushing	
29	475888	1	Anchorage	
30	865194	1	Hose	
31	943480	4	Clamp	
32	865195	1	Hose	
33	943475	2	Hose clamp	
34	944386	X	Hose	L=900mm
35	942649	1	Nipple	
36	865208	1	Radiator protector	
37	947760	6	Flange screw	
38	846118	1	Emblem	
39	941651	2	Screw	
40	865768	1	Fan hub	
41	946472	6	Screw	
42	848924	1	Fan, pusher type	D=890mm
43	865884	2	Fan protector	EARLY TYPE
	3825490	2	Fan protector	LATE TYPE
44	945444	4	Flange screw	FOR 865884
	945444	12	Flange screw	FOR 3825490
	947760	12	Flange screw	FOR 3827612
45	946048	4	Spacer washer	FOR 865884 (842350)
	946048	12	Spacer washer	FOR 3825490 (842350)
46	948211	10	Strip clamp	
47	943366	X	Hose	L=950mm (13776)
48	943470	2	Hose clamp	
49	865136	1	Pipe	
50	865127	4	Hose	
51	865137	1	Pipe	
52	865575	8	Hose clamp	
53	952637	1	Clamp	(943717)
54	945970	1	Screw	
55	191271	1	Washer	TH=6mm. To be mounted under the radiator, when spacer washer No. 3825890 is mounted between engine bracket and engine bed.

TAD1230P

REF	PART NO.	QTY	DESCRIPTION	NOTES
56	949918	1	Drain cock	
57	3827612	1	Fan ring	Can be mounted on earlier production to increaCan be mounted on earlier prodformans of the fan. For thrust type of fan the ring shall be turned over.
58	945444	2	Flange screw	FOR 3827612