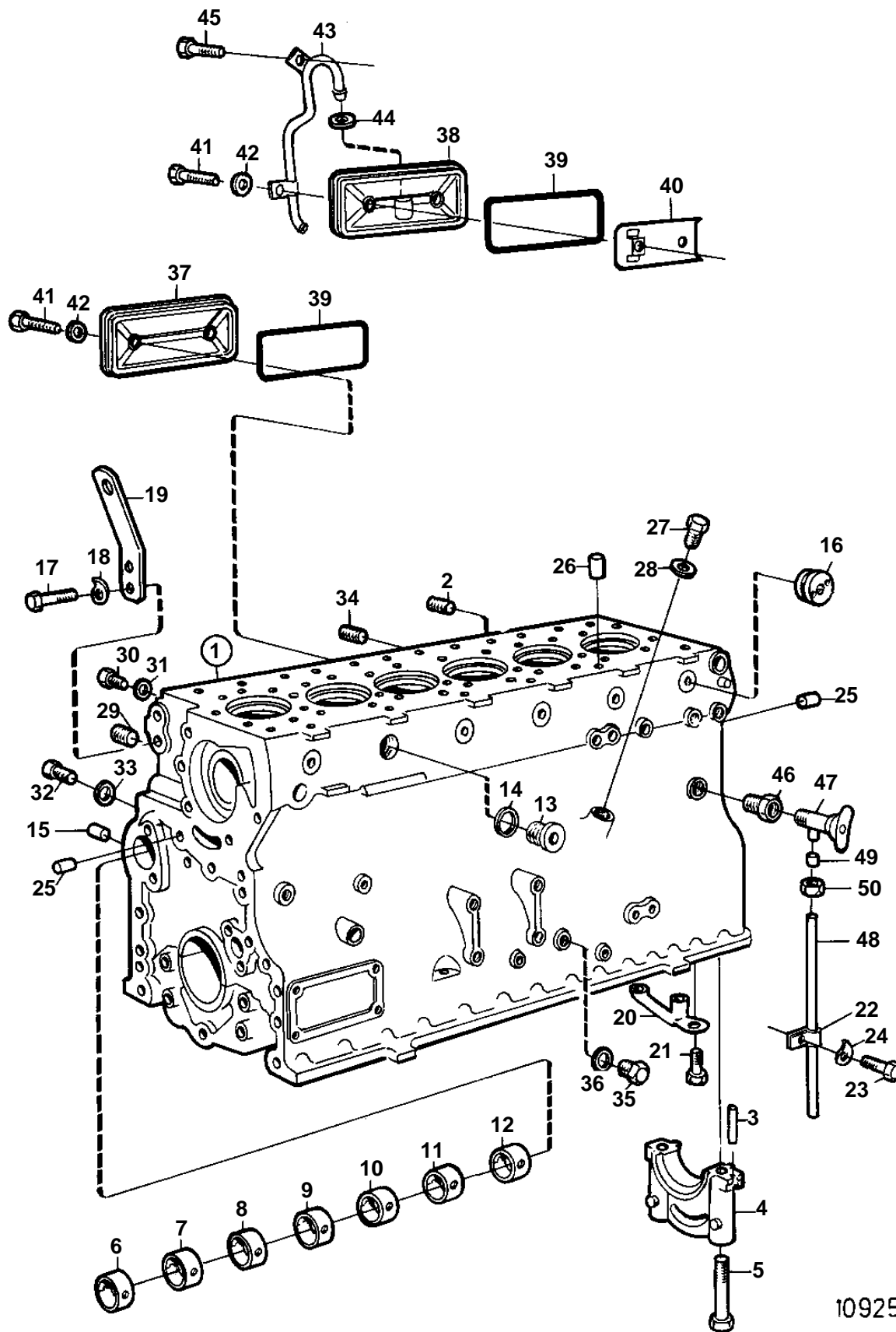


TD1210G, TWD1210G, TWD1211G



10925

TD1210G, TWD1210G, TWD1211G

REF	PART NO.	QTY	DESCRIPTION	NOTES
1	470130	1	Cylinder block	REPLACED BY 478990. Spare part design. SN-XXXXXXXXXX/199852
2	952075	1	• Plug	
3	422426	1	• Pin	
4		7	• Bearing cap	
5	423444	14	• Screw	
6	422076	1	• Bushing	
7	422077	1	• Bushing	
8	422078	1	• Bushing	
9	422079	1	• Bushing	
10	422080	1	• Bushing	
11	422081	1	• Bushing	
12	422082	1	• Bushing	
13	467367	5	• Plug	
14	469328	6	• Gasket	
15	422369	2	• Plug	
16	821335	1	• Plug	
17	955562	2	• Screw	
18	940280	2	Spring washer	
19		1	Lifting eye	
20	468539	6	Oil jet	
21	948587	6	Lock screw	
22	942400	1	Clamp	
23	940133	1	Screw	
24	942336	1	Spring washer	
25	955082	2	Cap plug	D=12,5mm
	955083	3	Cap plug	D=14,5mm
26	950543	12	Pin	
27		1	Plug	
28	969011	1	Gasket	
29	479977	2	Plug	
30	16318	2	Plug	
31	907132	2	Gasket	
32	948187	1	Plug	
33	18818	1	Gasket	
34	952075	1	Plug	
35	16318	3	Plug	
36	907132	3	Gasket	
37	423120	3	Inspection cover	STD
	423120	2	Inspection cover	ALT
38	423121	1	Inspection cover	ALT
39	469823	3	Gasket	
40	422542	1	Splash plate	ALT
41	422541	6	Screw	ALT
42	471856	6	Sealing ring	ALT
43	8193627	1	Breather pipe	ALT
44	421158	1	Sealing ring	
45	942402	2	Flange screw	
46	479954	1	Nipple	
47	840436	1	Lever	
48	949918	1	Drain cock	(821889)
49	954365	1	Fitting	
50	954357	1	Cap nut	