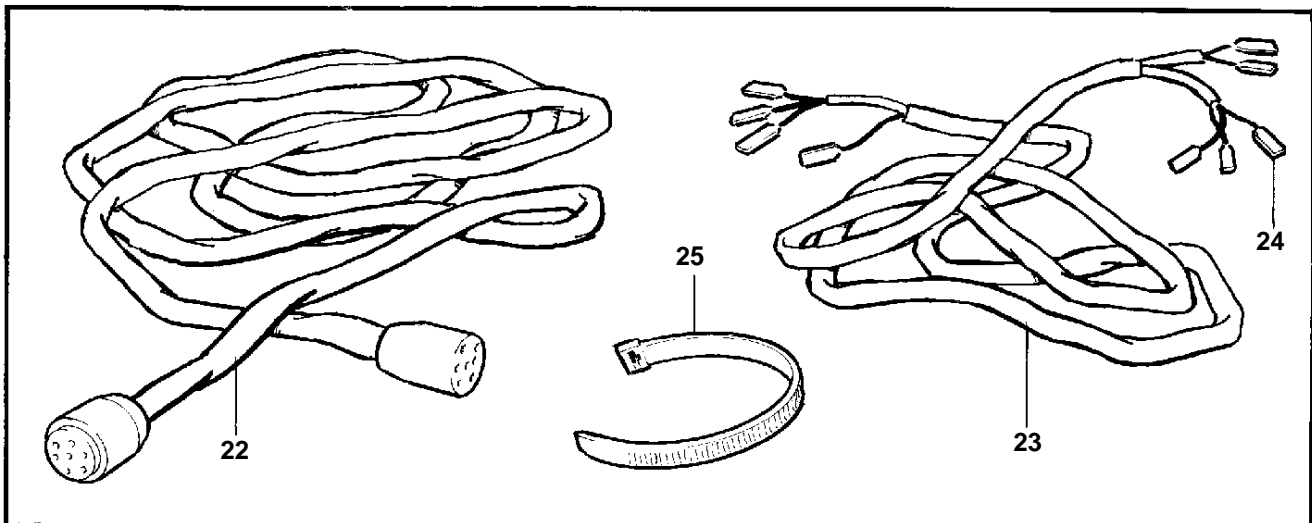
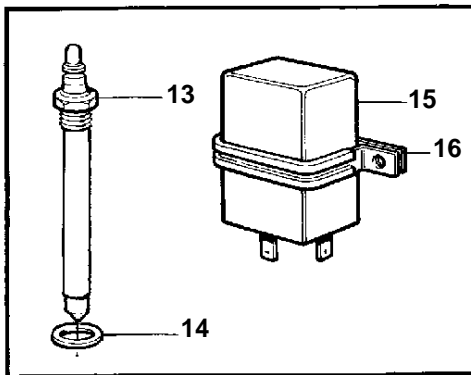
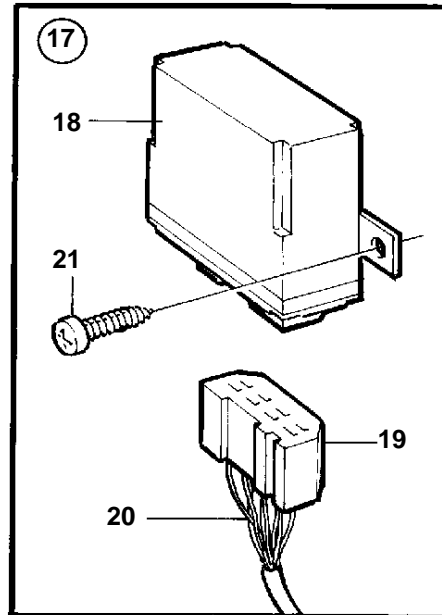
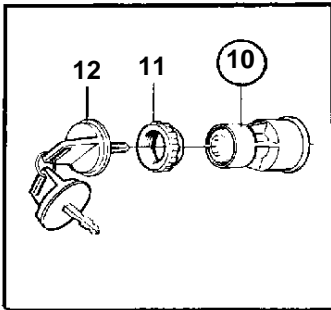
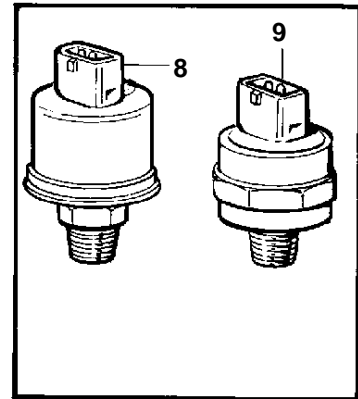
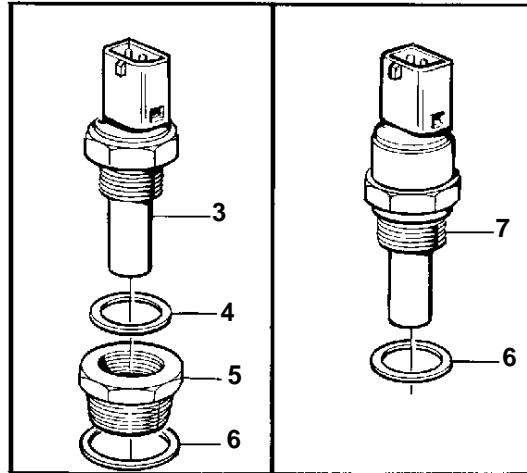
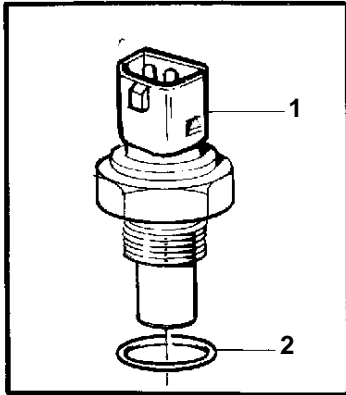


TD1210G, TWD1210G, TWD1211G, TAD1230G, TAD1231GE, TAD1232GE



TD1210G, TWD1210G, TWD1211G, TAD1230G, TAD1231GE, TAD1232GE

REF	PART NO.	QTY	DESCRIPTION	SEE SEC.	NOTES
1	862289	1	Sender, rpm		
2	949656	1	O-ring		
3	862627	1	Temperature sensor, oil		MAX 150°C
4	949329	1	Gasket		
5	863312	1	Adapter		
6	947624	1	Gasket		
7	862154	1	Temperature sensor, coolant water temp.		MAX 120°C
	862250	1	Thermo monitor, coolant water temp.		97°C
	848829	1	Temperature sensor, coolant water temp.		103°C
8	866835	1	Pressure sensor, oil-engine		0-10bar (862155)
9	863169	1	Pressure monitor, oil pressure		0,7bar
10	3587072	1	Starter switch		(864277)
11	859955	1	· Plastic nut		
12	859953	1	· Key		
			· Bulletin 49-30	49-30-EN	Key P/N 859953
13	1581232	1	Level indicator		L=50mm
14	11994	1	Gasket		
15	1622515	1	Level relay		
16	941772	1	Clamp		
17	872613	1	Timer relay kit		
18	874100	1	· Timer relay		
19	944076	1	· Receptacle housing		
20		X	· Electrical materials	1963	
21		X	Screw		
22	863867	X	Cable trunk		L=2500mm
	863868	X	Cable trunk		L=8000mm
23	866894	1	Wiring harness		
24		X	Electrical materials	1963	
25	948211	X	Strip clamp		