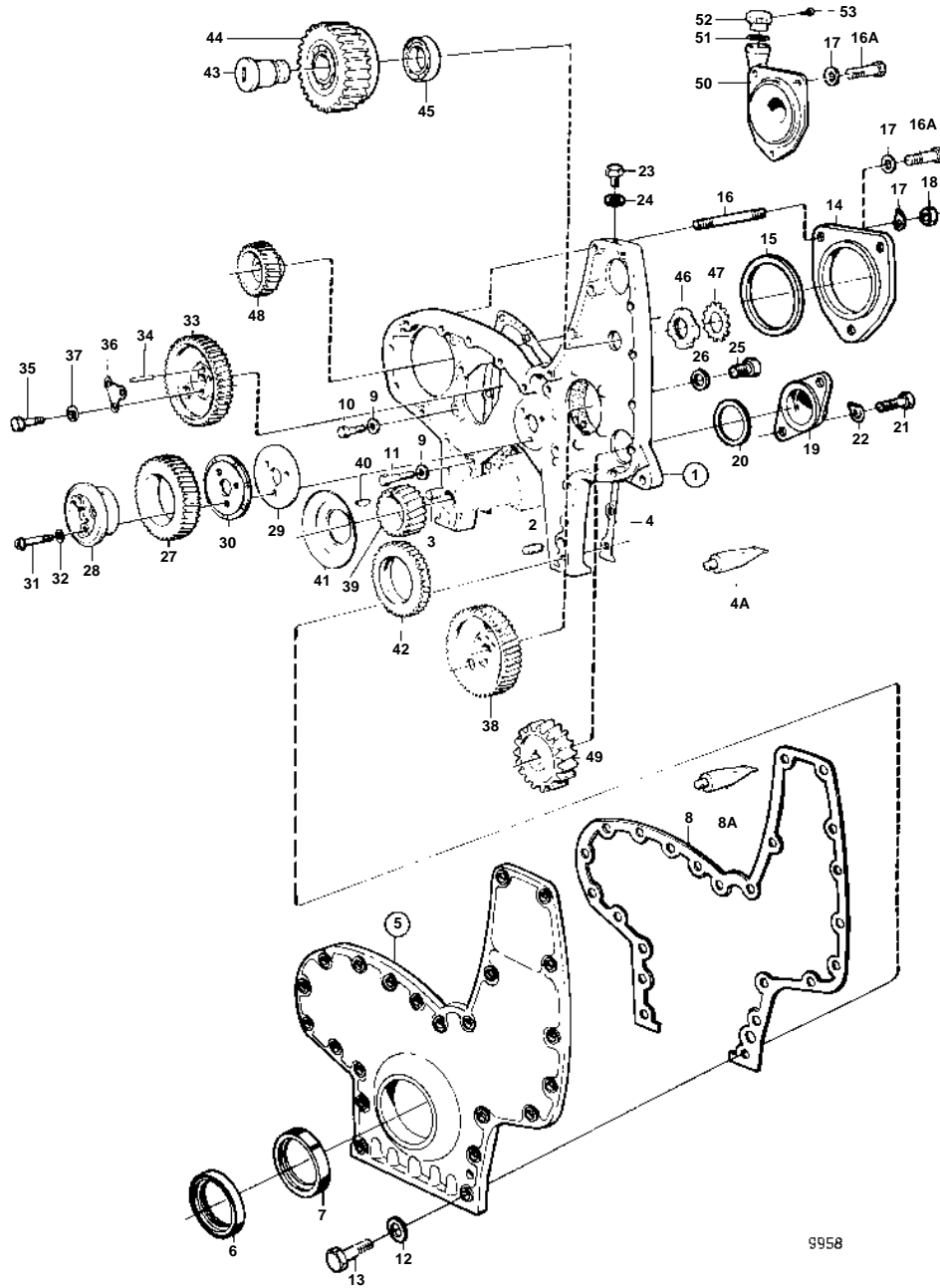


TID121



TID121

REF	PART NO.	QTY	DESCRIPTION	SEE SEC.	NOTES
1	470646	1	Timing gear casing		(470218)
2	941510	1	Pin		
3	941511	1	Pin		
4	468557	1	Gasket		
4A	1161231	X	Sealant		304 ML
	1161277	X	Sealant		10 G
5	864623	1	Cover		(848296)
6	941666	1	· Felt ring		
7	424983	1	· Sealing ring		
8	468116	1	Gasket		
8A	1161231	X	Sealant		304 ML
	1161277	X	Sealant		10 G
9	942336	5	Spring washer		
10	941939	4	Screw		L = 29 MM
11	955537	1	Screw		L = 51 MM
12	942336	20	Spring washer		
13	955542	8	Screw		L = 83 MM
	940162	8	Screw		L = 38 MM
	955536	2	Screw		L = 45 MM
	955540	2	Screw		L = 70 MM
14	420178	1	Cover		
15	975610	1	O-ring		
16	953346	3	Stud		
16A	955576	3	Screw		EARLY TYPE
17	941911	3	Spring washer		
18	955828	3	Nut		
19	468093	1	Cover		
20	468094	1	Sealing ring		
21	955535	2	Screw		
22	942336	2	Spring washer		
23	960633	1	Plug		
24	925059	1	O-ring		
25	192114	1	Plug		
26	18677	1	Gasket		
27	467461	1	Drive		
			Bulletin 45-01	45-01-EN	Timing Gears, 71, 100, 121
28	422766	1	Spindle		
29	467529	1	Thrust washer		
30	467528	1	Bearing shield		
31	468738	3	Screw		
32	942180	3	Washer		
33	423079	1	Gear		
			Bulletin 45-01	45-01-EN	Timing Gears, 71, 100, 121
34	950588	1	Pin		
35	940128	3	Screw		
36	467052	1	Lock washer		
37	467055	3	Washer		
38	423079	1	Gear, INJECTION PUMP		
			Bulletin 45-01	45-01-EN	Timing Gears, 71, 100, 121
39	423080	1	Crankshaft gear		
			Bulletin 45-01	45-01-EN	Timing Gears, 71, 100, 121
40	422253	1	Woodruff key		
41		1	OIL DEFLECTOR		
42	422047	1	Gear		
43	470219	1	Pin		
44	470231	1	Idler gear		
45		1	· BALL BEARING		
46	906634	1	Round nut		
47	907024	1	Lock washer		
48	423087	1	Gear		
			Bulletin 45-01	45-01-EN	Timing Gears, 71, 100, 121
49		1	GEAR, HYDRAULIC PUMP		SEE GROUP 9
50	849197	1	Tube		

