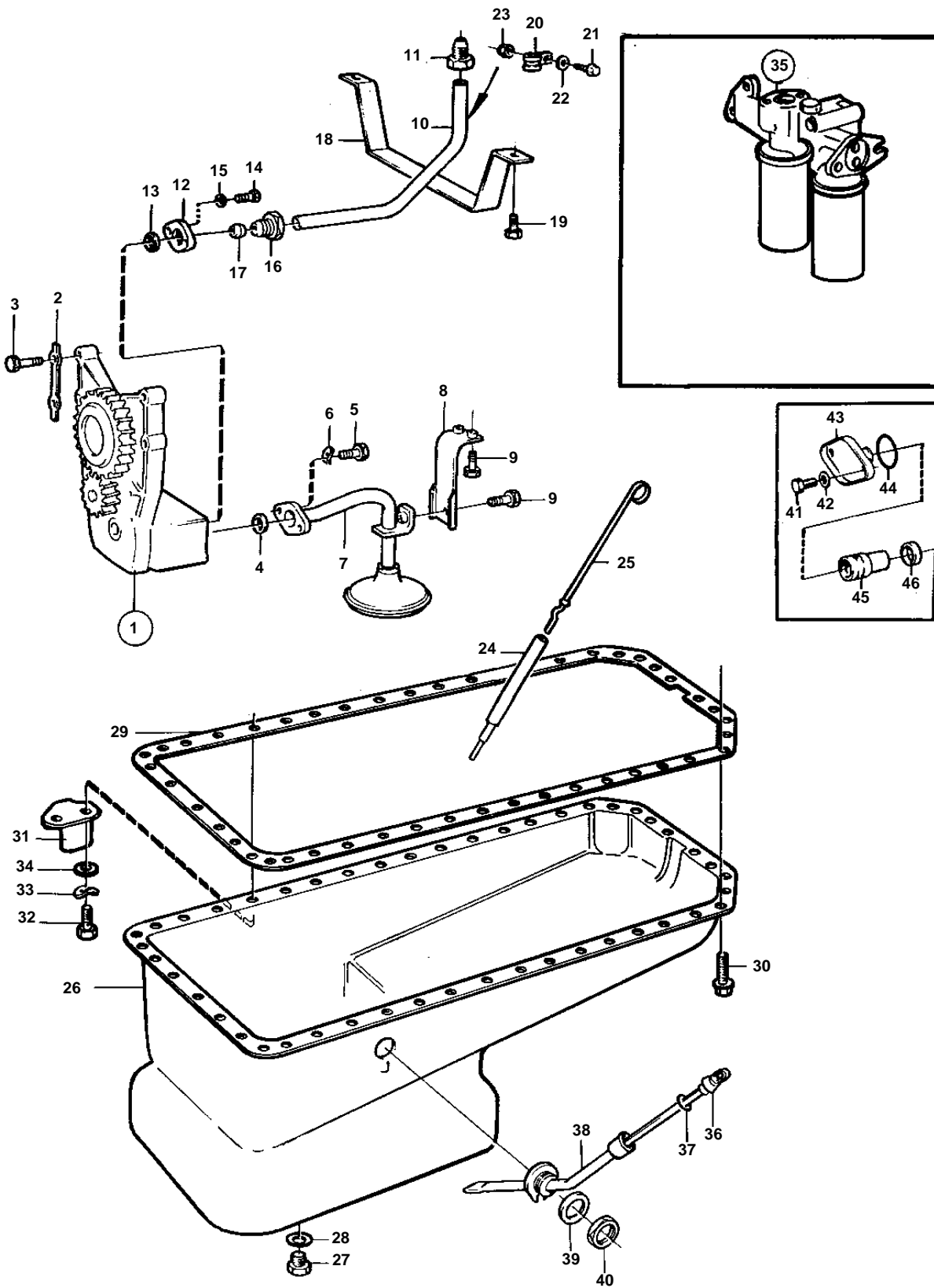


TD121-87,TID121-87



10052

TD121-87,TID121-87

REF	PART NO.	QTY	DESCRIPTION	SEE SEC.	NOTES
1	470343	1	Oil pump		REPL BY 478285
				02A-4600	
	478285	1	Oil pump		REPL BY 478649
				02A-4600	
	478649	1	Oil pump		
				02A-4600	
2	190529	2	Lock washer		
3	955538	4	Screw		
4	470383	2	Sealing ring		
5	955533	2	Screw		
6	941907	2	Spring washer		
7	470379	1	Strainer		
8	470385	1	Bracket		
9	942402	3	Flange screw		
10	470375	1	Pipe		
11	466908	1	Fitting		
12	470376	1	Intermediate section		
13	470263	1	Sealing ring		
14	959794	2	Screw		
15	941907	2	Spring washer		
16	470377	1	Fitting		
17	956973	1	Ferrule		
18	470918	1	Bracket		
19	942402	2	Flange screw		
20	1545432	1	Clamp		
21	942402	1	Flange screw		
22	955894	1	Washer		
23	945467	1	Nut		
24	412845	1	Extension		
25	944663	1	Oil dipstick		
26	862008	1	Oil pan		
27	949175	1	Magnetic plug		
28	18813	1	Gasket		
29	478505	1	Gasket		(470745)
30	942402	41	Flange screw		
31	468653	1	Bracket		
32	955525	2	Screw		
33	941907	2	Spring washer		
34	960141	2	Washer		
35		1	OIL FILTER AND INSTALLATION COMPONENTS	02A-4350	
36	862012	1	Oil dipstick		
37	925054	1	O-ring		
38	862016	1	Retainer		
39	468947	1	Sealing ring		
40	468948	1	Nut		
41	940100	2	Screw		
42	949607	2	Spring washer		
43	471752	1	Cover		
44	949658	1	O-ring		
45	471707	1	Reducing valve		
46	469846	1	Sealing ring		