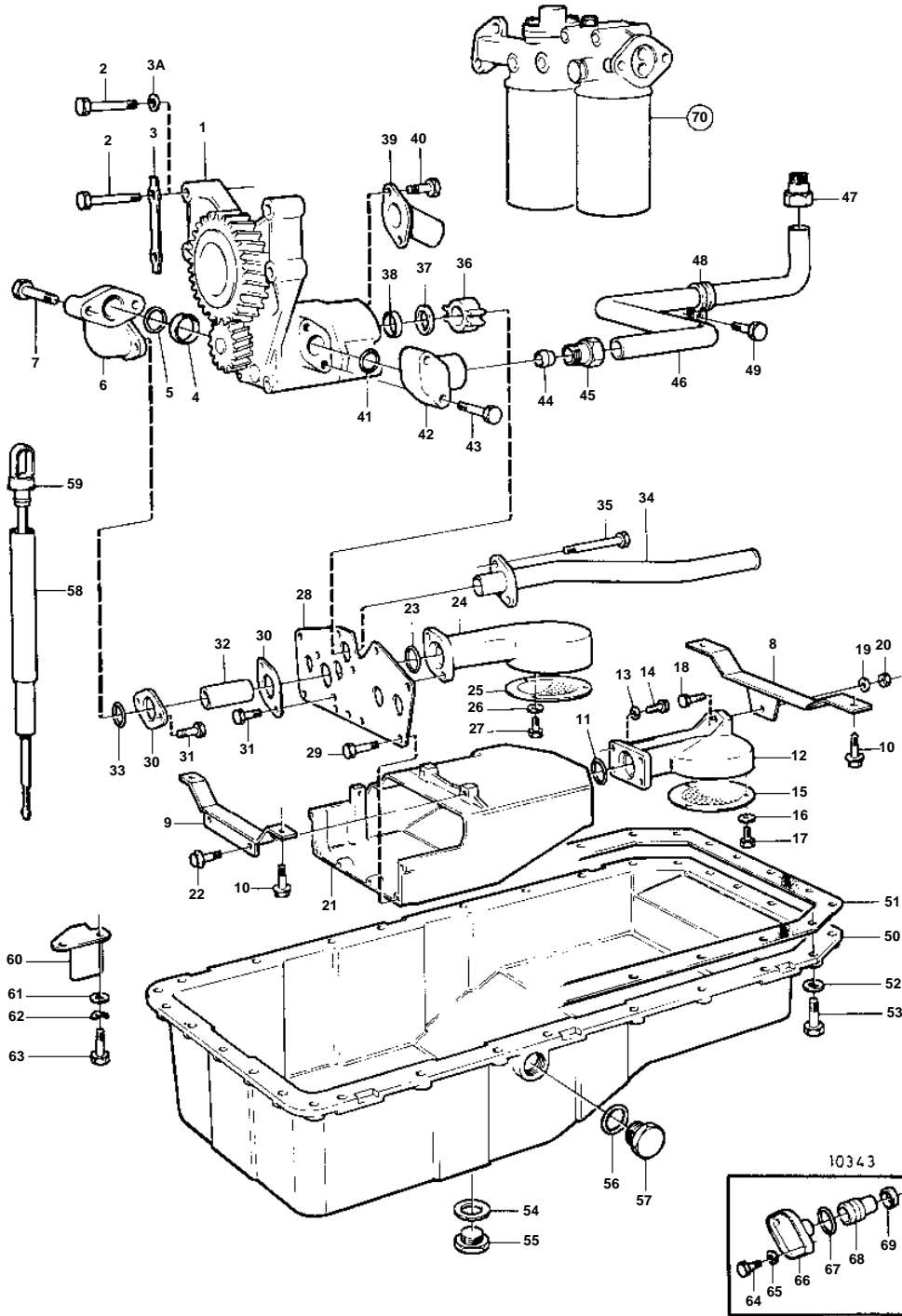


TD121G-87, TID121K-87



TD121G-87,TID121K-87

REF	PART NO.	QTY	DESCRIPTION	SEE SEC.	NOTES
1	4778318	1	Oil pump		
				02A-4650	
2	955538	4	Screw		
3	190529	2	Lock washer		EARLY TYPE
3A	942336	4	Spring washer		
4	4778328	1	Sleeve		
5	944126	1	O-ring		
6	4778327	1	Connector		
7	965179	2	Flange screw		
8	11031506	1	Bracket		
9	4778344	1	Bracket		
10	942402	4	Flange screw		
11	944126	1	O-ring		
12	4778037	1	Strainer housing		
13	955894	4	Washer		
14	940142	4	Screw		
15	4778048	1	Strainer		
16	955948	3	Lock washer		
17	955268	3	Screw		
18	945444	1	Flange screw		
19	955894	1	Washer		
20	946036	1	Lock nut		
21	4778343	1	Oil reservoir		
22	945444	2	Flange screw		
23	944126	1	O-ring		
24	4778466	1	Strainer housing		
25	4778048	1	Strainer		
26	955948	3	Lock washer		
27	955268	3	Screw		
28	4778040	1	Plate		
29	946440	6	Flange screw		
30	4778330	2	Flange		
31	945444	4	Flange screw		
32	4778042	1	Tube		
33	944126	1	O-ring		
34	4778333	1	Suction pipe		
35	4778436	2	Screw		
36	4778332	1	Spacer		
37	4778331	1	Spacer		
38	470383	1	Sealing ring		
39	4778425	1	Tube		
40	966688	2	Screw		
41	949657	1	O-ring		
42	4778338	1	Flange		
43	965216	2	Screw		
44	956973	1	Ferrule		
45	470377	1	Fitting		
46	4778340	1	Tube		
47	466908	1	Fitting		
48	1545432	1	Clamp		
49	946440	1	Flange screw		
50	4778350	1	Oil pan		
51	470745	1	Gasket		(11031523)
52	941907	30	Spring washer		
53	940186	28	Screw		
54	18813	1	Gasket		
55	949175	1	Magnetic plug		
56	925064	1	O-ring		
57	960638	1	Plug		
58	4772188	1	Tube		
59	11031503	1	Oil dipstick		
60	468653	1	Bracket		
61	960141	2	Washer		

7746460 - 02A - 02A-4150

10343

Upd: 22 NOV 2005

TD120HP, TD121G, TID121K, TID121L

VOLVO
PENTA

