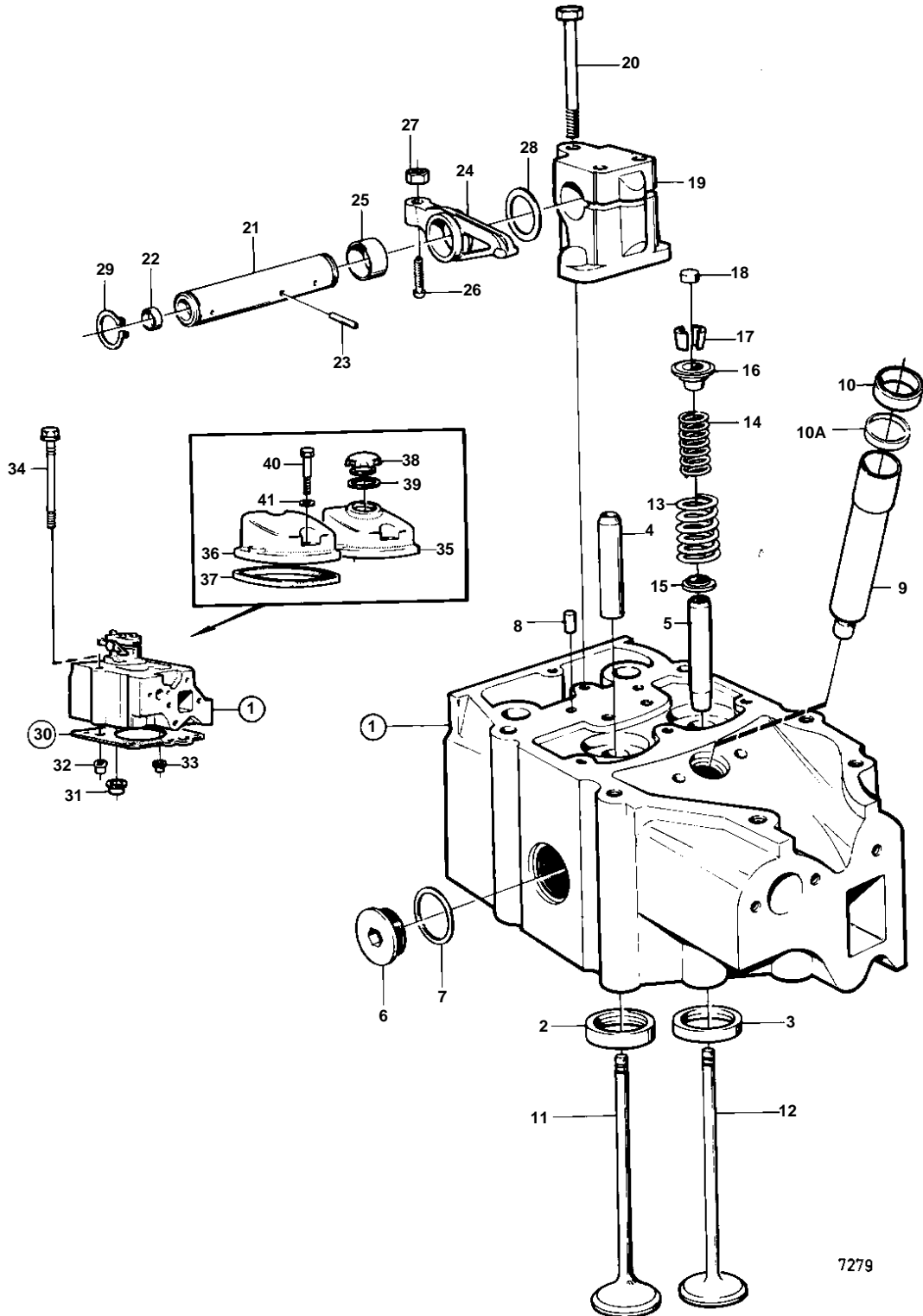


TD121-87,TID121-87



7279

TD121-87,TID121-87

REF	PART NO.	QTY	DESCRIPTION	NOTES
1	470813	6	Cylinder head	ALSO AVAILABLE AS AN EXCHANGE PART CONSISTING OF CYLINDER HEAD,INTAKE AND EXHAUST VALVES,VALVE SPRINGS,WASHERS AND LOCKS.
	3803314	6	Cylinder head, exch	Exchange unit
2	423011	6	· Valve seat, INTAKE	STD
	423208	6	· Valve seat, INTAKE	0.20 MM O.S
3	468448	6	· Valve seat, EXHAUST	STD
	468449	6	· Valve seat, EXHAUST	0.20 MM O.S
4	422320	6	· Valve guide, INTAKE	
5	1545135	6	· Valve guide, EXHAUST	
6	467365	12	· Plug	
7	468461	12	· Gasket	
8	950543	12	· Pin	
9	273983	6	· Copper sleeve kit	(470247)
10	466420	6	· · Steel ring	
10A	466405	6	· · Rubber ring	
11	468302	6	Inlet valve	
12	468303	6	Exhaust valve	
13	468067	12	Valve spring, OUTER	
14	468066	12	Valve spring, INNER	
15	468065	12	Washer, LOWER	
16	468304	12	Washer, UPPER	
17	468305	24	Valve collet	
18	478074	12	Valve cap	
19	423266	6	Bearing bracket	
20	423331	18	Screw	
21	423267	6	Shaft	
22	946778	12	· Cap plug	
23	950499	6	· Pin	
24	423263	12	Rocker arm	
25	422066	12	· Bushing	
26	422993	12	· Ball stud	(423058)
27	940175	12	· Nut	
28	423269	12	Washer	
29	914459	12	Lock ring	
30	270949	6	Gasket kit	SEE GROUP 10A
31	423326	12	· Sealing ring	IK D = 32 MM
32	422415	12	· Sealing ring	IK D = 18 MM
33	422413	6	· Sealing ring	IK D = 11 MM
34	470261	48	Flange screw	
35	423404	1	Cover	
36	423403	5	Cover	
37	424692	6	Gasket	
38	421753	1	Oil filler cap	(420292)
39	940096	1	Gasket	
40	955527	12	Screw	
41	942580	12	Gasket	