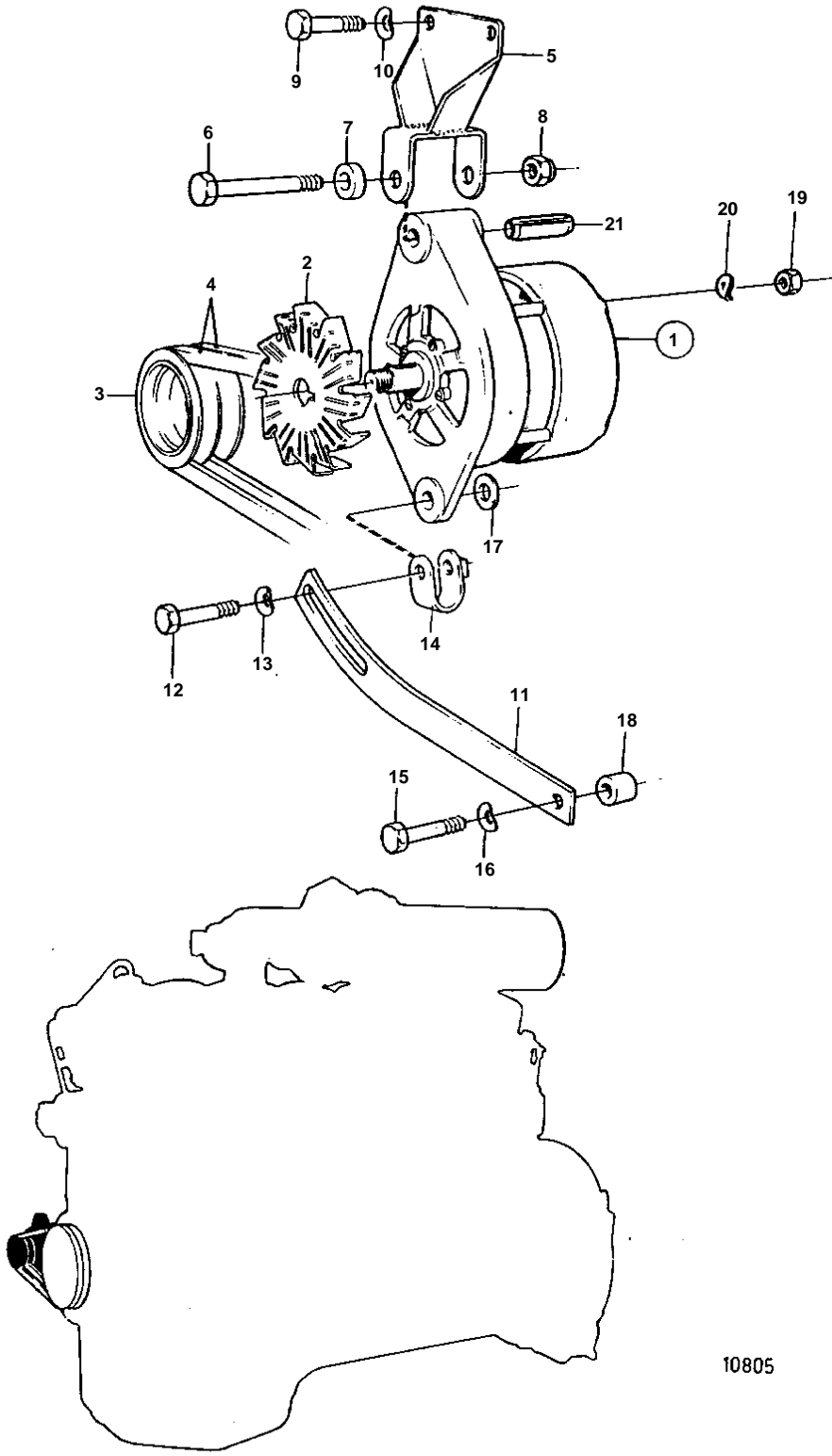


TD121G,TD121G-87,TD121GG,TD121GG-86,TD121GG-87



10805

TD121G,TD121G-87,TD121GG,TD121GG-86,TD121GG-87

REF	PART NO.	QTY	DESCRIPTION	SEE SEC.	NOTES
1	845940	1	Alternator		24V 55A. FOR 24 VOLTAGE ELECTRIC SYSTEM.
				030-1025	
	849563	1	Alternator		28V 55A. FOR 24 VOLTAGE ELECTRIC SYSTEM.
				030-1027	
	1607362	1	Alternator		ALT. 28V 55A. FOR 24 VOLTAGE ELECTRIC SYSTEM.
				030-1000	
	863955	1	Alternator		28V60A. FOR 24 VOLTAGE ELECTRIC SYSTEM.. ALSO AVAILABLE AS AN EXCHANGE PART.
			Bulletin 45-02A	45-02A-EN	Alternator
1				030-1035	
	872021	1	Alternator		28V60A. FOR 24 VOLTAGE ELECTRIC SYSTEM.. ALSO AVAILABLE AS AN EXCHANGE PART.
				030-1040	
2		1	FAN		INCLUDED IN ALTERNATOR.
	1613241	1	Fan		(1578612)
3	822573	1	Pulley		
4	966991	2	V-belt set		
5	849510	1	Bracket		
6	955555	1	Screw		
7	847400	1	Sleeve		
8	950355	1	Nut		
9	955536	2	Screw		
10	942336	2	Spring washer		
11	863726	1	Tensioner		
12	955299	1	Screw		
13	941907	1	Spring washer		
14	466734	1	Tensioning eyelet		
15	955542	1	Screw		
16	942336	1	Spring washer		
17	191172	1	Washer		
18	846903	1	Sleeve		
19	955780	1	Nut		D = 5 MM
	955781	1	Nut		D = 6 MM
	955782	1	Nut		D = 8 MM
20	941905	1	Spring washer		D = 5.3 MM
	941906	1	Spring washer		D = 6.7 MM
	941907	1	Spring washer		D = 8,4 MM
21	1610144	1	Pin		FOR 872021