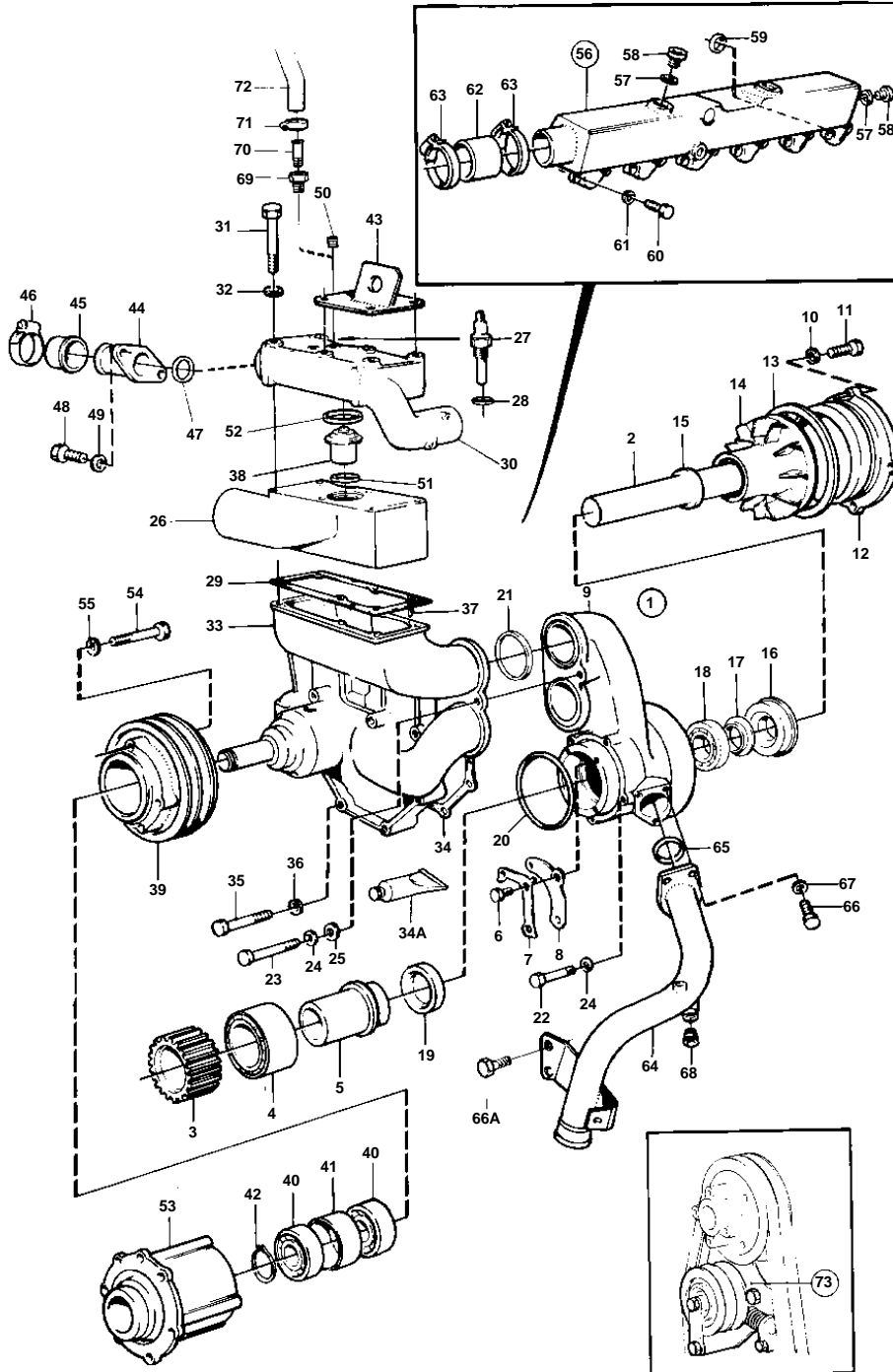


TID121K,TID121KG,TID121KP



9859

## TID121K,TID121KG,TID121KP

REF	PART NO.	QTY	DESCRIPTION	SEE SEC.	NOTES
1	1545261	1	Water pump		
2	468249	1	· Shaft	IK	
3	470265	1	· Gear		
			· Bulletin 45-01	45-01-EN	Timing Gears, 71, 100, 121
4	181286	1	· Ball bearing	IK	
5	468247	1	· Pin		
6	940100	3	· Screw		
7	1545359	1	· Lock washer	IK	
8	1545358	2	· Lock washer		
9		1	· HOUSING		
10	941906	4	· Spring washer	IK	
11	955513	4	· Screw		
12	469418	1	· Cover		
13	925262	1	· O-ring	IK	
14	468244	1	· Impeller	IK	
15	421306	1	· Wear ring	IK	
16	1545283	1	· Sealing ring	IK	
17	70913	1	· Deflector	IK	
18	1660609	1	· Ball bearing	IK	
19	958811	1	· Sealing ring	IK	
20	925257	1	O-ring	IK	
21	1664473	2	O-ring	IK	(925254)
22	955542	4	Screw		
23	955535	1	Screw		
24	942336	5	Spring washer		
25	940097	1	Washer		
26	470396	1	Thermostat housing		
27	827150	1	Temperature sensor		SEE GROUP 3
28	11996	1	Gasket		
29	423352	1	Gasket	IK	
30	470395	1	Thermostat housing		
31	959798	6	Screw		
32	940097	2	Washer		
33	468635	1	Lower section		
34	423351	1	Gasket	IK	IF GASKET HAS BEEN USED, YOU SHOULD USE GASKET AGAIN
34A	1161231	X	Sealant		IF SILICONE RUBBER HAS BEEN USED, USE SILICONE RUBBER AGAIN
35	955535	5	Screw		L = 32 MM
	955541	2	Screw		L = 76 MM
36	942336	7	Spring washer		
37	951973	2	Grooved pin		
38	1544683	1	Thermostat		82%Z9
39	468445	1	Pulley		
40		2	BALL BEARING		REPLACED BY REPAIR KIT 876613, WHICH CONTAINS 2EA BALL BEARING, SPACER SLEEVE AND CIRCLIP.
41		1	SPACER SLEEVE		REPLACED BY REPAIR KIT 876613, WHICH CONTAINS 2EA BALL BEARING, SPACER SLEEVE AND CIRCLIP.
42		1	CIRCLIP		REPLACED BY REPAIR KIT 876613, WHICH CONTAINS 2EA BALL BEARING, SPACER SLEEVE AND CIRCLIP.
43	475888	1	Anchorage		*
44	845435	1	Connection pipe		
45	845422	1	Cap		
46	943475	1	Hose clamp		
47	949658	1	O-ring	IK	(469477)
48	940135	2	Screw		
49	941907	2	Spring washer		
50	952077	2	Plug		
51	1544710	1	Sealing ring		
52	1544410	1	Sealing ring		

TID121K,TID121KG,TID121KP

REF	PART NO.	QTY	DESCRIPTION	SEE SEC.	NOTES
53	476976	1	Hub		
54	955536	4	Screw		
55	942336	4	Spring washer		
56	847512	1	Water pipe		
57	468463	3	· Gasket		
58	467366	3	· Plug		
59	423281	6	Sealing ring		
60	955525	12	Screw		
61	941907	12	Spring washer		
62	470464	1	Hose		
63	943479	2	Hose clamp		(943480)
64	847449	1	Connection pipe		
			Bulletin 46-14	46-14-EN	New circulation pump pipe for TD1210 and TAD1230
65	925092	1	O-ring	IK	
66	940135	3	Screw		
66A	955536	2	Screw		
67	941907	3	Spring washer		
68	952077	2	Plug		
69	190130	1	Nipple		
70	192555	1	Nipple		
71		X	HOSE CLAMP		
72		1	HOSE		
73		1	AUTOMATIC BELT TENSIONER AND BELT TRANSMISSION	02B-0575	
		1	REPAIR KIT WATER PUMP		SEE GROUP 10A