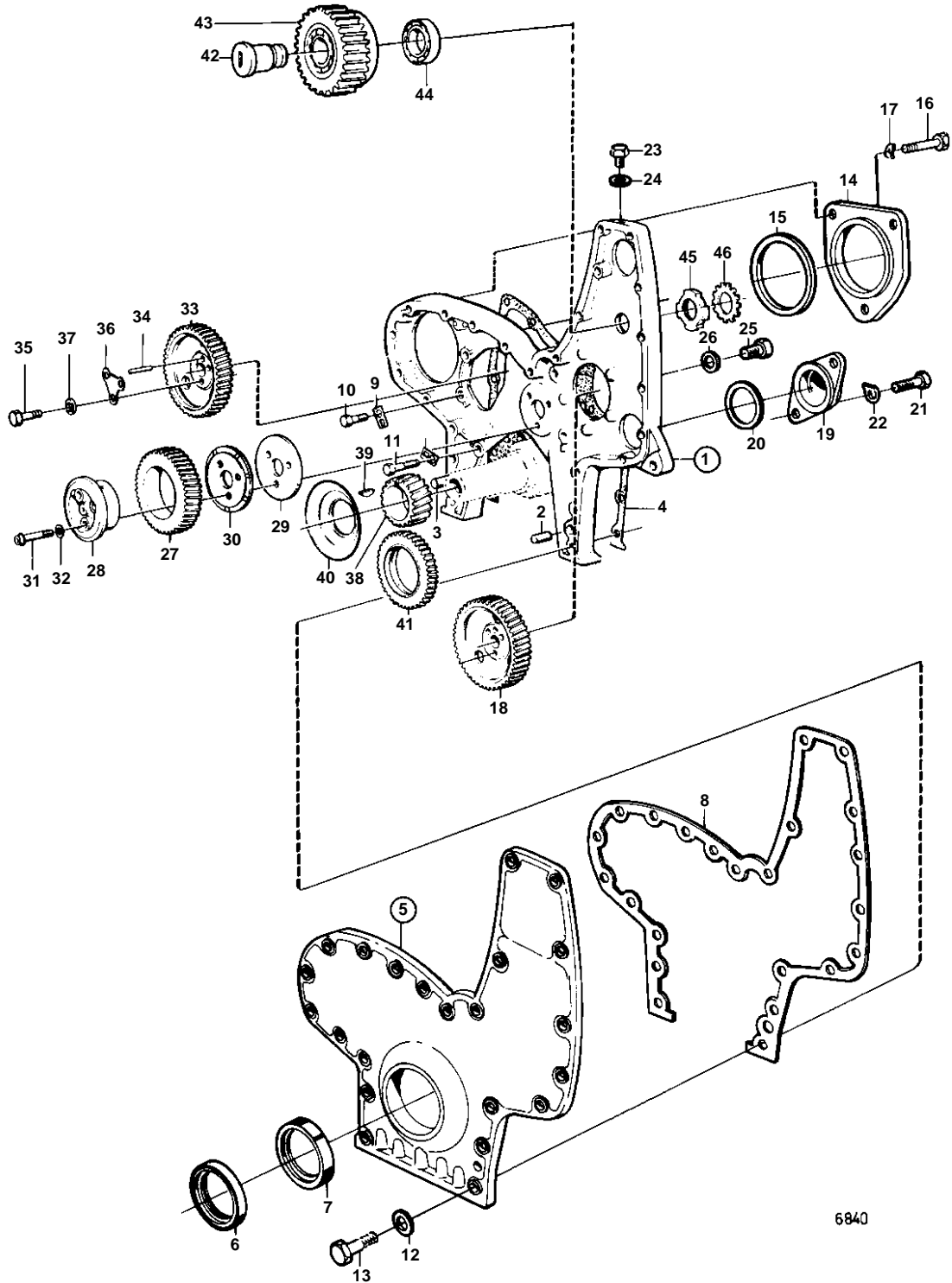


TID120H PP



6840

## TID120H PP

REF	PART NO.	QTY	DESCRIPTION	SEE SEC.	NOTES
1	470218	1	Timing gear casing		
2	941510	1	Pin		
3	941511	1	Pin		
4	468557	1	Gasket		
5	842444	1	Cover		
6	941666	1	· Felt ring		
7	469507	1	· Sealing ring		
8	468116	1	Gasket		
9	941572	5	Lock washer		
10	941939	4	Screw		L = 29 MM
11	955537	1	Screw		L = 51 MM
12	942336	20	Spring washer		
13	955542	8	Screw		L = 83 MM
	940162	8	Screw		L = 38 MM
	955536	2	Screw		L = 45 MM
14	420178	1	Cover		
15	413619	1	Gasket		
16	955576	3	Screw		
17	941911	3	Spring washer		
18	423079	1	· Gear		SEE GROUP 3
			· Bulletin 45-01	45-01-EN	Timing Gears, 71, 100, 121
19	468093	1	Cover		
20	468094	1	Sealing ring		
21	955535	2	Screw		
22	942336	2	Spring washer		
23	960633	1	Plug		
24	925059	1	O-ring		
25	192114	1	Plug		
26	18677	1	Gasket		
27	467461	1	Drive		
			Bulletin 45-01	45-01-EN	Timing Gears, 71, 100, 121
28	467463	1	Bearing spindle		
29	467529	1	Thrust washer		
30	467528	1	Bearing shield		
31	468738	3	Screw		
32	942180	3	Washer		
33	423079	1	Gear	02A-0835	
			Bulletin 45-01	45-01-EN	Timing Gears, 71, 100, 121
34	950588	1	Pin		
35	940128	3	Screw		
36	467052	1	Lock washer		
37	467055	3	Washer		
38	423080	1	Crankshaft gear	02A-1050	
			Bulletin 45-01	45-01-EN	Timing Gears, 71, 100, 121
39	422253	1	Woodruff key		
40	423177	1	Oil deflector		
41	422047	1	Gear	02A-1550	
42	470219	1	Pin		
43	470217	1	Gear		
44	470220	1	Ball bearing		
45	906634	1	Round nut		
46	907024	1	Lock washer		