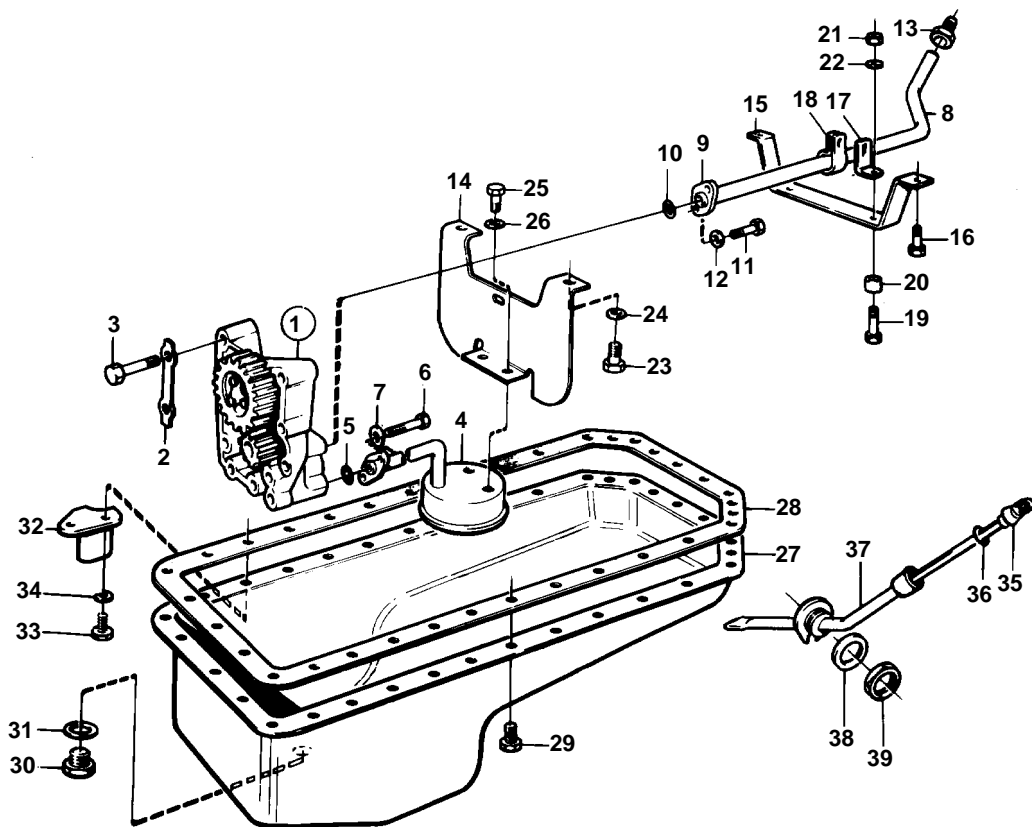


TD1010G, TWD1010G



15324

TD1010G, TWD1010G

| REF | PART NO. | QTY | DESCRIPTION | SEE SEC. | NOTES |
|-----|----------|-----|-----------------|----------|---------------|
| 1 | 479319 | 1 | Oil pump | | |
| | | | | 1043 | |
| 2 | 190529 | 2 | Lock washer | | EARLY TYPE |
| | 942336 | 4 | Spring washer | | LATE TYPE |
| 3 | 955538 | 4 | Screw | | |
| 4 | 824156 | 1 | Oil pump screen | | |
| 5 | 949658 | 1 | O-ring | | |
| 6 | 955530 | 2 | Screw | | |
| 7 | 941907 | 2 | Spring washer | | |
| 8 | 1545270 | 1 | Oil feed pipe | | SN-2100291269 |
| | 422970 | 1 | Tube | | SN2100291270- |
| 9 | 1545272 | 1 | Flange | | |
| 10 | 1545271 | 1 | Sealing ring | | |
| 11 | 955531 | 2 | Screw | | |
| 12 | 941907 | 2 | Spring washer | | |
| 13 | 466907 | 1 | Fitting | | SN-2100291269 |
| | 466908 | 1 | Fitting | | SN2100291270- |
| 14 | 1545381 | 1 | Baffle plate | | |
| 15 | 1545011 | 1 | Bracket | | |
| 16 | 942402 | 2 | Flange screw | | |
| 17 | 1545203 | 1 | Bracket | | |
| 18 | 1545433 | 1 | Clamp | | |
| 19 | 940117 | 3 | Screw | | |
| 20 | 1545269 | 3 | Sleeve | | |
| 21 | 955825 | 3 | Nut | | |
| 22 | 976943 | 3 | Washer | | |
| 23 | 942402 | 2 | Flange screw | | |
| 24 | 941907 | 2 | Spring washer | | |
| 25 | 940113 | 2 | Screw | | |
| 26 | 941907 | 2 | Spring washer | | |
| 27 | 862014 | 1 | Oil pan | | |
| 28 | 479264 | 1 | Gasket | | |
| 29 | 942402 | 39 | Flange screw | | |
| 30 | 949175 | 1 | Magnetic plug | | |
| 31 | 18813 | 1 | Gasket | | |
| 32 | 467916 | 1 | Bracket | | |
| 33 | 955525 | 2 | Screw | | |
| 34 | 941907 | 2 | Spring washer | | |
| 35 | 862020 | 1 | Oil dipstick | | |
| 36 | 925054 | 1 | O-ring | | |
| 37 | 862016 | 1 | Retainer | | |
| 38 | 468947 | 1 | Sealing ring | | |
| 39 | 468948 | 1 | Nut | | |