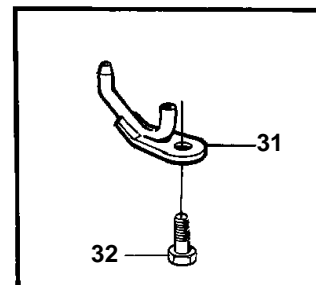
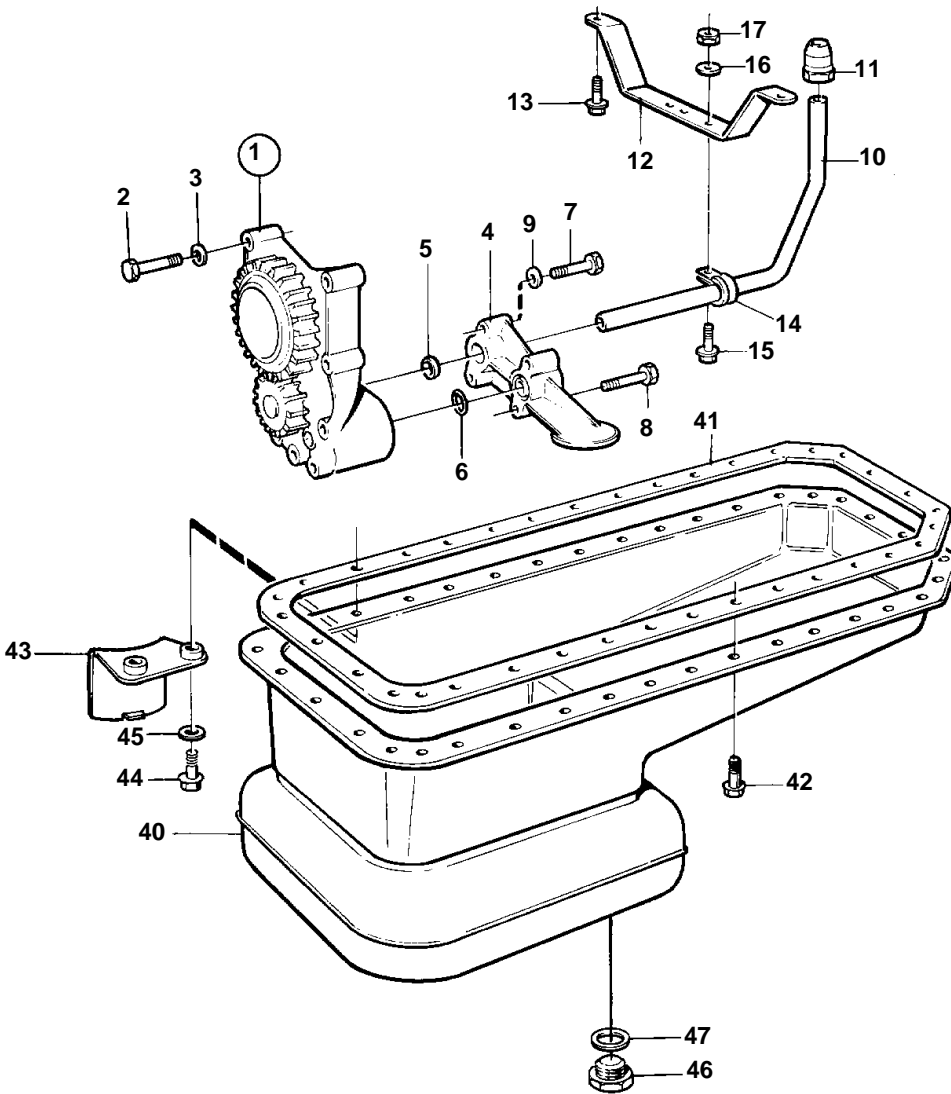
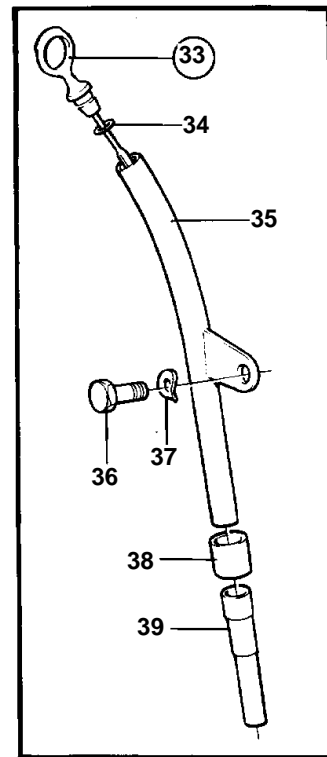
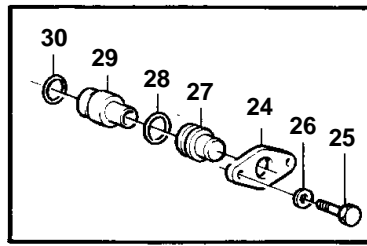
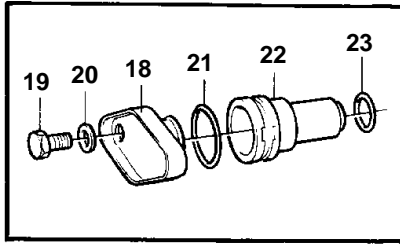


TAD1030G



15202

TAD1030G

REF	PART NO.	QTY	DESCRIPTION	SEE SEC.	NOTES
1	479317	1	Oil pump		
				105	
2	955538	4	Screw		
3	942336	4	Spring washer		
4	479325	1	Oil pump screen		
5	470263	1	Sealing ring		
6	949659	1	O-ring		
7	949886	2	Screw		
8	959794	2	Screw		
9	941907	2	Spring washer		
10	1545828	1	Tube		
11	466908	1	Fitting		
12	470918	1	Bracket		
13	942402	2	Flange screw		
14	1545432	1	Clamp		
15	942402	1	Flange screw		
16	941907	1	Spring washer		
17	955826	1	Nut		
18	471752	1	Cover		
19	940100	2	Screw		
20	941906	2	Spring washer		
21	949658	1	O-ring		
22	471707	1	Reducing valve		YELLOW
23	469846	1	Sealing ring		
24	424714	1	Flange		
25	955513	2	Screw		
26	941906	2	Spring washer		
27	424715	1	Plug		
28	949657	1	O-ring		
29	422836	1	Valve, piston cooling		
30	949656	1	O-ring		
31	864374	6	Oil jet, piston cooling		
32	948587	6	Lock screw		
33	478624	1	Oil dipstick		
34	949187	1	· O-ring		
35	479302	1	Tube		
36	940100	1	Screw		
37	941906	1	Spring washer		
38	191512	1	Hose		L=40mm
39	467235	1	Tube		
40	1545840	1	Oil pan		
41	479264	1	Gasket		
42	942402	39	Flange screw		
43	467916	1	Bracket, oil cooler		
44	955525	2	Screw		
45	941907	2	Spring washer		
46	949175	1	Magnetic plug		
47	18813	1	Gasket		