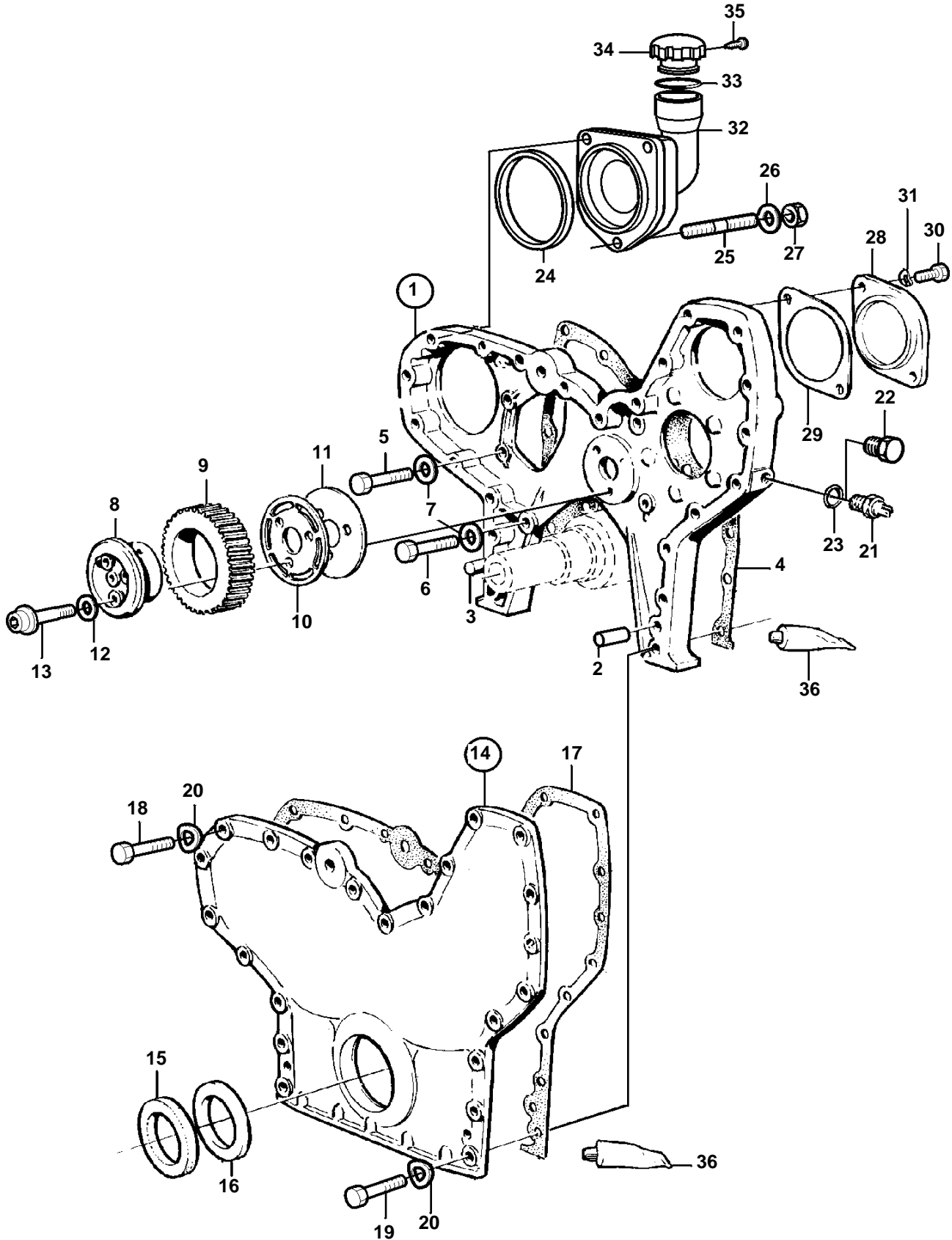


TD1010G, TWD1010G



TD1010G, TWD1010G

REF	PART NO.	QTY	DESCRIPTION	SEE SEC.	NOTES
1	422622	1	Timing gear casing		
2	941510	1	• Pin		L=48mm
3	941511	1	• Pin		L=56mm
4	468557	1	Gasket		Included in overhaul kit.
5	941939	4	Screw		
6	955537	1	Screw		
7	942336	5	Spring washer		
8	422766	1	Spindle		
9	467461	1	Drive		
			Bulletin 45-01	45-01-EN	Timing Gears, 71, 100, 121
10	478951	1	Thrust washer		
11	467528	1	Bearing shield		
12	942180	3	Washer		
13	468738	3	Screw		
14	864622	1	Cover		
15	941666	1	• Felt ring		
16	424983	1	• Sealing ring		
17	422626	1	Gasket		Included in overhaul kit.
18	940162	10	Screw		L=38mm
19	955541	8	Screw		L=76mm
20	942336	18	Spring washer		
21		1	Tachometer sensor		SE GROUP 30
22	943681	1	Plug		
23	949656	1	O-ring		Included in overhaul kit.
24	975610	1	O-ring		Included in overhaul kit.
25	953346	3	Stud		
26	941911	3	Spring washer		
27	955828	3	Nut		
28	420183	1	Cover		
29	862591	1	Gasket		
30	940115	2	Screw		
31	942336	2	Spring washer		
32	849197	1	Tube		
33	1275379	1	Gasket		
34	421753	1	Oil filler cap		
35	955126	3	• Screw		
36	1161231	X	Sealant		304ml
	1161277	X	Sealant		10g