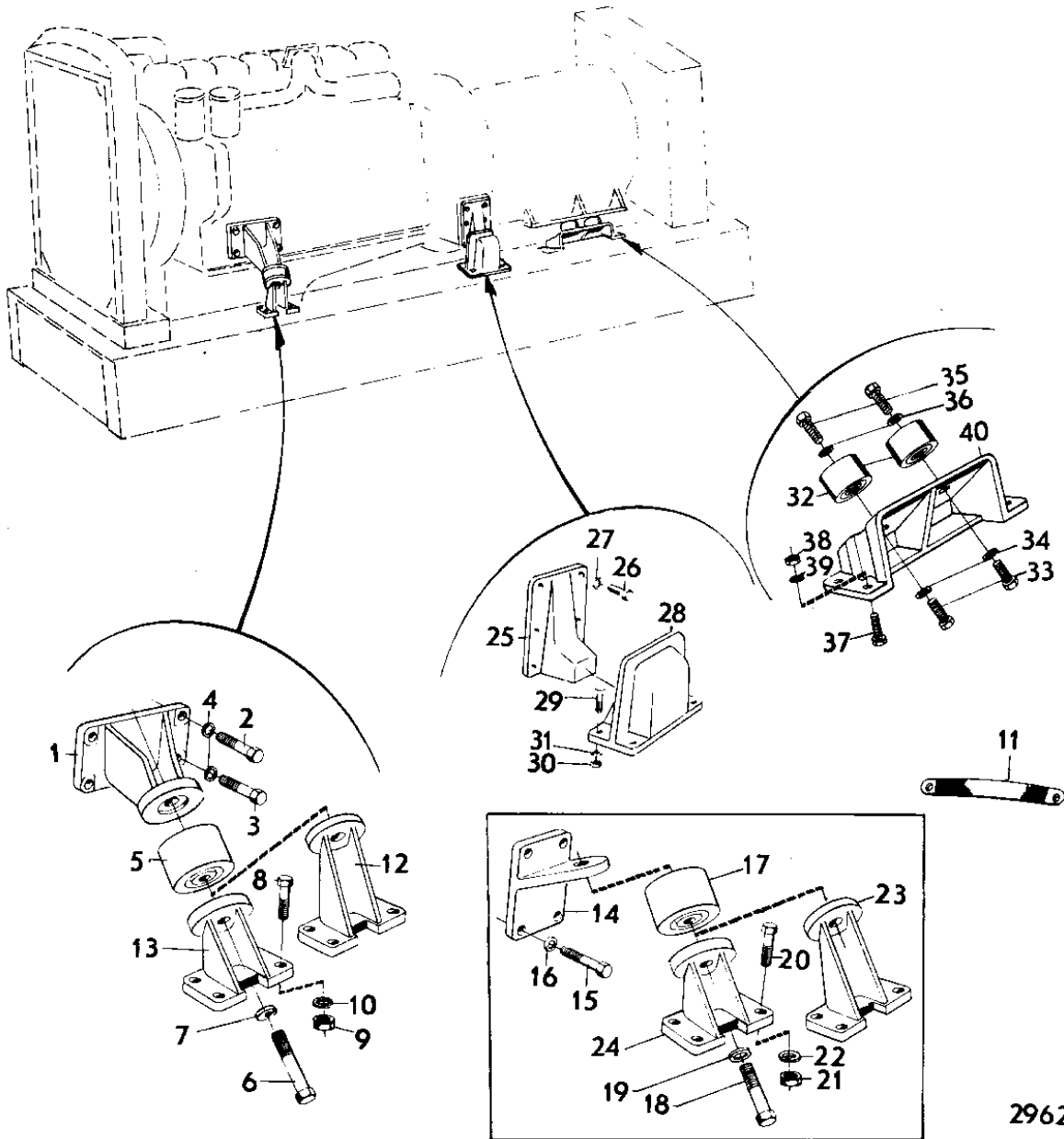


TD1010G, TWD1010G



TD1010G, TWD1010G

REF	PART NO.	QTY	DESCRIPTION	NOTES
1	820745	2	Bracket	
2	955578	4	Screw	
3	955578	4	Screw	
4	941911	8	Spring washer	
5	899734	2	Rubber cushion	
6	970968	4	Screw	
7	940280	4	Spring washer	
8	955562	8	Screw	
9	940176	8	Nut	
10	940280	8	Spring washer	
11	11411	1	Ground cable	
12	820822	2	Bracket	High mounted engine.
13	820744	2	Bracket	Low mounted engine.
14	820742	2	Bracket	
15	955561	8	Screw	
16	940280	8	Spring washer	
17	899734	2	Rubber cushion	
18	970968	4	Screw	
19	940280	4	Spring washer	
20	955562	8	Screw	
21	940176	8	Nut	
22	940280	8	Spring washer	
23	820822	2	Bracket	High mounted engine.
24	820744	2	Bracket	Low mounted engine.
25	899144	2	Bracket	
26	955561	12	Screw	
27	940280	12	Spring washer	
28	817954	2	Bracket	High mounted engine.
	899145	2	Bracket	Low mounted engine.
29	955535	8	Screw	
30	955827	8	Nut	
31	942336	8	Spring washer	
32	899734	4	Rubber cushion	
33	970969	4	Screw	
34	940280	4	Spring washer	
35	970968	4	Screw	
36	940280	4	Spring washer	
37	955562	8	Screw	
38	940176	8	Nut	
39	940280	8	Spring washer	
40		2	Bracket	High mounted engine.
		2	Bracket	Low mounted engine.