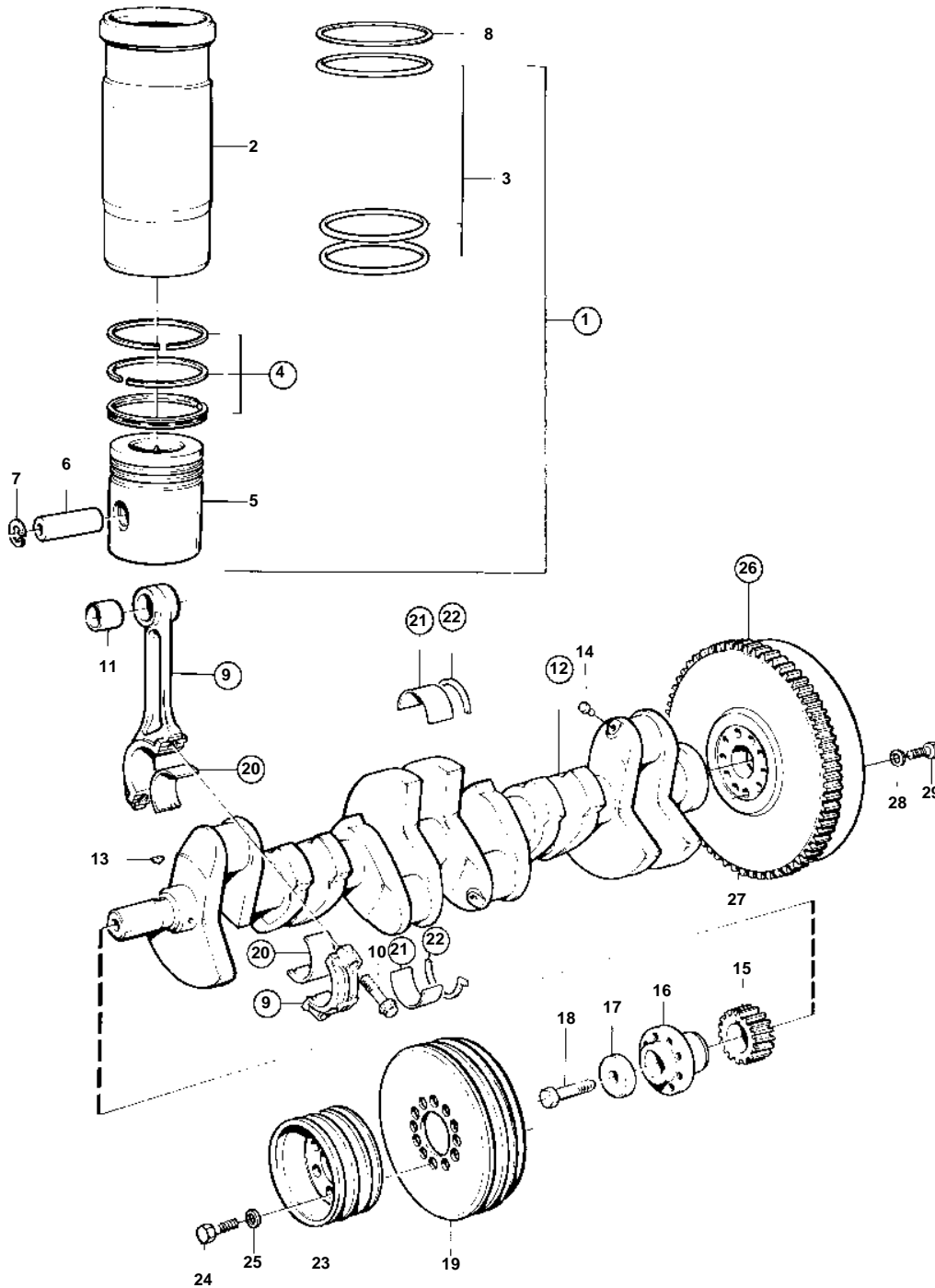


TAD1030G



15200

TAD1030G

REF	PART NO.	QTY	DESCRIPTION	SEE SEC.	NOTES
1	876620	6	Cylinder liner kit		
2	479380	6	· Cylinder liner		
3	271157	6	· Sealing ring kit		
4	876712	6	· Piston ring kit		(876296)
5		6	· Piston		
6	8194539	6	· Piston pin		
7	417466	12	· Lock ring		
8	422619	X	Shim		TH=0,20mm
	422620	X	Shim		TH = 0,30mm
	422621	X	Shim		TH = 0,50mm
9	846731	6	Connecting rod		
10	1545479	12	· Screw		
11	1545302	6	· Bushing		
12	848767	1	Crankshaft		SN-2100280596
			10 hole for flywheel		
	3826010		Crankshaft		SN2100280597-
			14 hole for flywheel		
13	422253	1	· Woodruff key		
14	978130	6	· Plug		
15	423080	1	Crankshaft gear		INCL IN 3826010
			Bulletin 45-01	45-01-EN	Timing Gears, 71, 100, 121
16	424958	1	Hub		
17	422124	1	Washer		
18	941494	1	Screw		
19	866393	1	Vibration damper		
20	270124	6	Big end bearing kit		STD D
	270125	6	Big end bearing kit		U.S=0,25mm
	270126	6	Big end bearing kit		U.S=0,50mm
	270127	6	Big end bearing kit		U.S=0,75mm
	270128	6	Big end bearing kit		U.S=1,00mm
	270129	6	Big end bearing kit		U.S=1,25mm
21	270438	7	Main bearing kit		STD D
	270439	7	Main bearing kit		U.S=0,25mm
	270440	7	Main bearing kit		U.S=0,50mm
	270441	7	Main bearing kit		U.S=0,75mm
	270442	7	Main bearing kit		U.S=1,00mm
	270443	7	Main bearing kit		U.S=1,25mm
22	276758	1	Thrust washer kit		STD D
	276759	1	Thrust washer kit		O.S=0,10mm
	276760	1	Thrust washer kit		O.S=0,20mm
	276761	1	Thrust washer kit		0,30mm OVER SIZE
23	468187	1	Pulley		HC50x3 GROOVES
	847367	1	Pulley		HC50x6 GROOVES
24	955549	6	Screw, 7/16UNCx45mm		FOR 468187
	955551	12	Screw, 7/16UNCx57mm		FOR 847367
25	941909	6	Spring washer		FOR 468187
	941909	12	Spring washer		FOR 847367
26	864402	1	Flywheel, 10 hole		
			Bulletin 46-07	46-07-EN	Crankshaft/Flywheel
26	864997	1	Flywheel, 14 hole		
27	420794	1	· Gear ring		
28	467773	10	Washer, 10 hole for flywheel		
	467773	14	Washer, 14 hole for flywheel		
29	478717	10	Screw, 10 hole for flywheel		
	478717	10	Screw, 14 hole for flywheel		