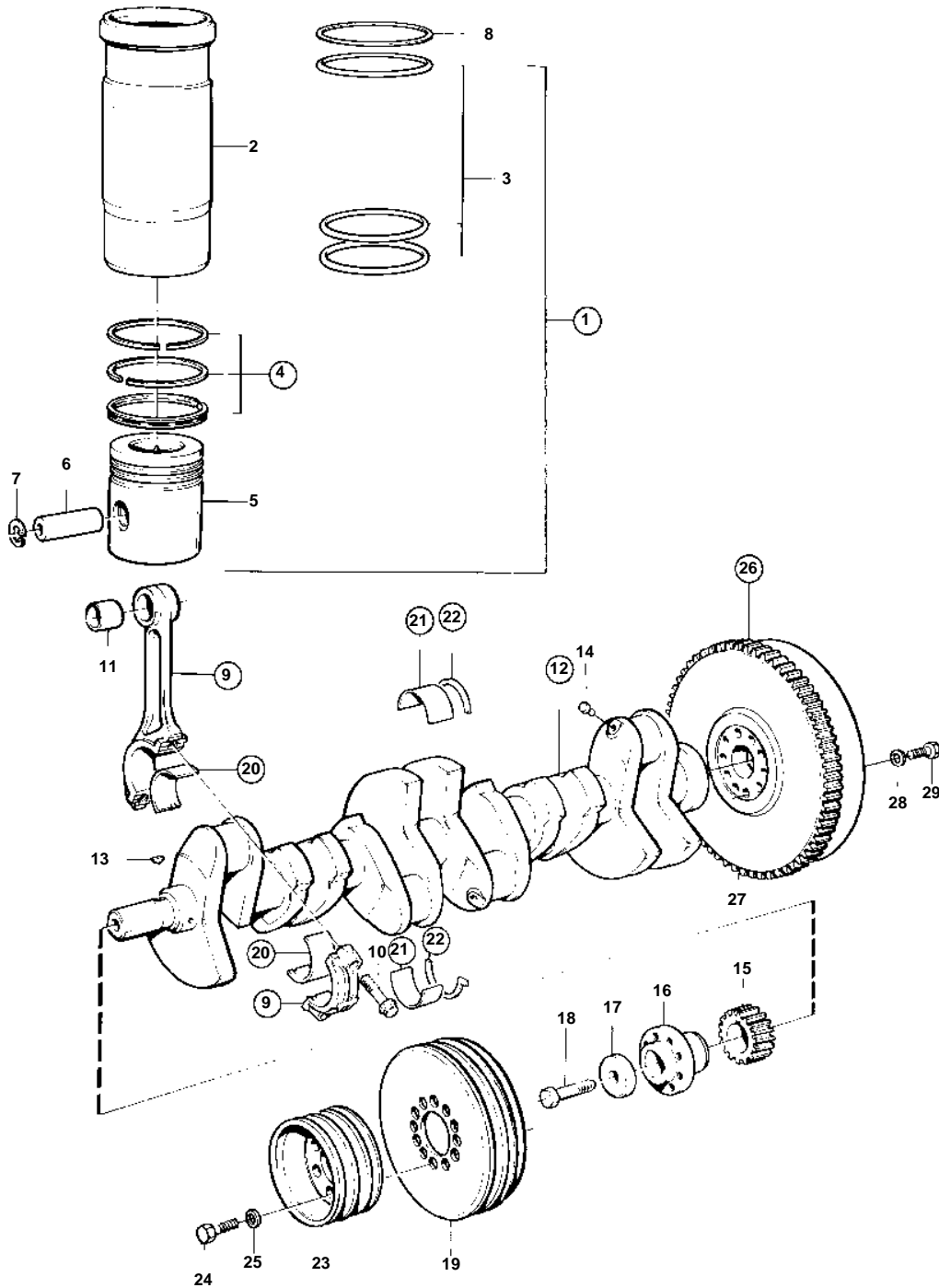


TD1010G, TWD1010G



15200

## TD1010G, TWD1010G

REF	PART NO.	QTY	DESCRIPTION	SEE SEC.	NOTES
1	275627	6	Cylinder liner kit		
2		6	· Cylinder liner		
3	271157	6	· Sealing ring kit		
4	275084	6	· Piston ring kit		
5		6	· Piston		
6	8194539	6	· Piston pin		STD D (479873)
7	417466	12	· Lock ring		
8	422619	X	Shim		TH=0,20mm
	422620	X	Shim		TH = 0,30mm
	422621	X	Shim		TH = 0,50mm
9	846731	6	Connecting rod		
10	1545479	12	· Screw		
11	1545302	6	· Bushing		
12	848767	1	Crankshaft		SN-2100280596
			10 hole for flywheel		
	3826010	1	Crankshaft		SN2100280597-
			14 hole for flywheel		
13	422253	1	· Woodruff key		
14	978130	6	· Plug		
15	423080	1	Crankshaft gear		INCL IN 3826010
			Bulletin 45-01	45-01-EN	Timing Gears, 71, 100, 121
16	470595	1	Hub		
17	422124	1	Washer		
18	941494	1	Screw		
19	866135	1	Vibration damper		
20	270124	6	Big end bearing kit		STD D
	270125	6	Big end bearing kit		U.S=0,25mm
	270126	6	Big end bearing kit		U.S=0,50mm
	270127	6	Big end bearing kit		U.S=0,75mm
	270128	6	Big end bearing kit		U.S=1,00mm
	270129	6	Big end bearing kit		U.S=1,25mm
21	270438	7	Main bearing kit		STD D
	270439	7	Main bearing kit		U.S=0,25mm
	270440	7	Main bearing kit		U.S=0,50mm
	270441	7	Main bearing kit		U.S=0,75mm
	270442	7	Main bearing kit		U.S=1,00mm
	270443	7	Main bearing kit		U.S=1,25mm
22	276758	1	Thrust washer kit		STD D
	276759	1	Thrust washer kit		O.S=0,10mm
	276760	1	Thrust washer kit		O.S=0,20mm
	276761	1	Thrust washer kit		0,30mm OVER SIZE
23	843600	1	Pulley		3 GROOVE
	844615	1	Pulley		ALT 1 GROOVE
	844591	1	Pulley		ALT 2 GROOVES
	845845	1	Pulley		ALT 6 GROOVE
24	955550	12	Screw		FOR 843600
	955552	12	Screw		FOR 844615,844591
	955551	12	Screw		FOR 845845
25	941909	12	Spring washer		
26	864402	1	Flywheel, 10 hole		
			Bulletin 46-07	46-07-EN	Crankshaft/Flywheel
26	864997	1	Flywheel, 14 hole		
27	420794	1	· Gear ring		
28	467773	10	Washer, 10 hole for flywheel		
	467773	14	Washer, 14 hole for flywheel		
29	478717	10	Screw, 10 hole for flywheel		
	478717	14	Screw, 14 hole for flywheel		