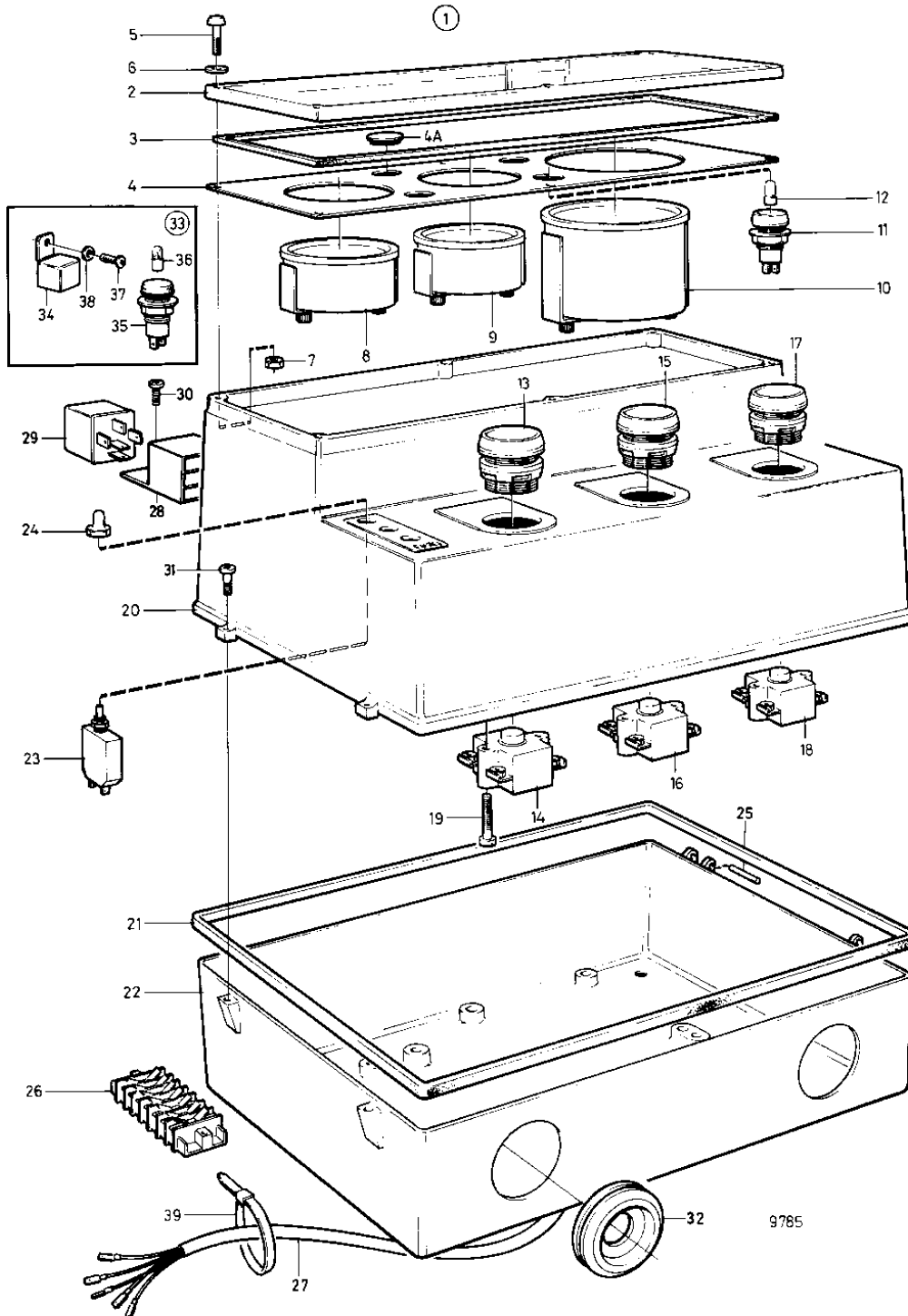


TD1010G, TWD1010G, TAD1030G



TD1010G, TWD1010G, TAD1030G

REF	PART NO.	QTY	DESCRIPTION		NOTES
1		1	Instrument panel	NS	
2	873654	1	• Cover glass		(849842)
3	849885	1	• Sealing strip		
4	863800	1	• Instrument panel		
4A		3	• Protecting plug		
5	849963	6	• Screw		
6	862501	6	• Gasket		
7	965483	6	• Nut		
8	849849	1	• Oil pressure gauge, oil-pressure	24V	
9	849848	1	• Thermometer, temperature	24V	
10	854908	1	• Tachometer, hour/tachometer		24V. Replaced by operating clock/tachometer 873998 and intermediate ring 873721.
11	849966	1	• Bulb socket		Warning lamp, charging.
12	182034	1	• Bulb		
13	863102	1	• Push button	RED	
14	873791	1	• Switch	GREEN-RED (863115)	
15	863104	1	• Push button	BLACK	
16	873791	1	• Switch	GREEN-RED (863115)	
17	863103	1	• Push button	GREEN	
18	873792	1	• Switch	GREEN (863116)	
19	956063	6	• Screw		
20	849838	1	• Cover		
21	849840	1	• Sealing strip		
22	849839	1	• Box		
23	968821	1	• Fuse	16A	
	966689	2	• Fuse	8A	
24	862006	3	• Protective cap		
25	951967	2	• Spring pin		
26	849992	1	• Terminal block	5-POLE	
	849993	2	• Terminal block	7-POLE	
27	862137	1	• Cable trunk		
28	977184	3	• • Tab housing	(946556)	
29	1504951	2	• Relay	24V	
30	956074	3	• Screw		
31	862281	2	• Screw		
32	943920	1	• Protecting plug		
33			• Alarm separator		
34	863724	1	• Alarm separator		
35	863721	1	• Bulb socket		Warning lamp, low coolant level.
	863722	1	• Bulb socket		Warning lamp, low oil pressure.
	863723	1	• Bulb socket		Warning lamp, high coolant temperature.
36	182034	3	• Bulb		
37		1	• Cross recessed screw		
38	955892	1	• Washer		
39	948211	X	Strip clamp		