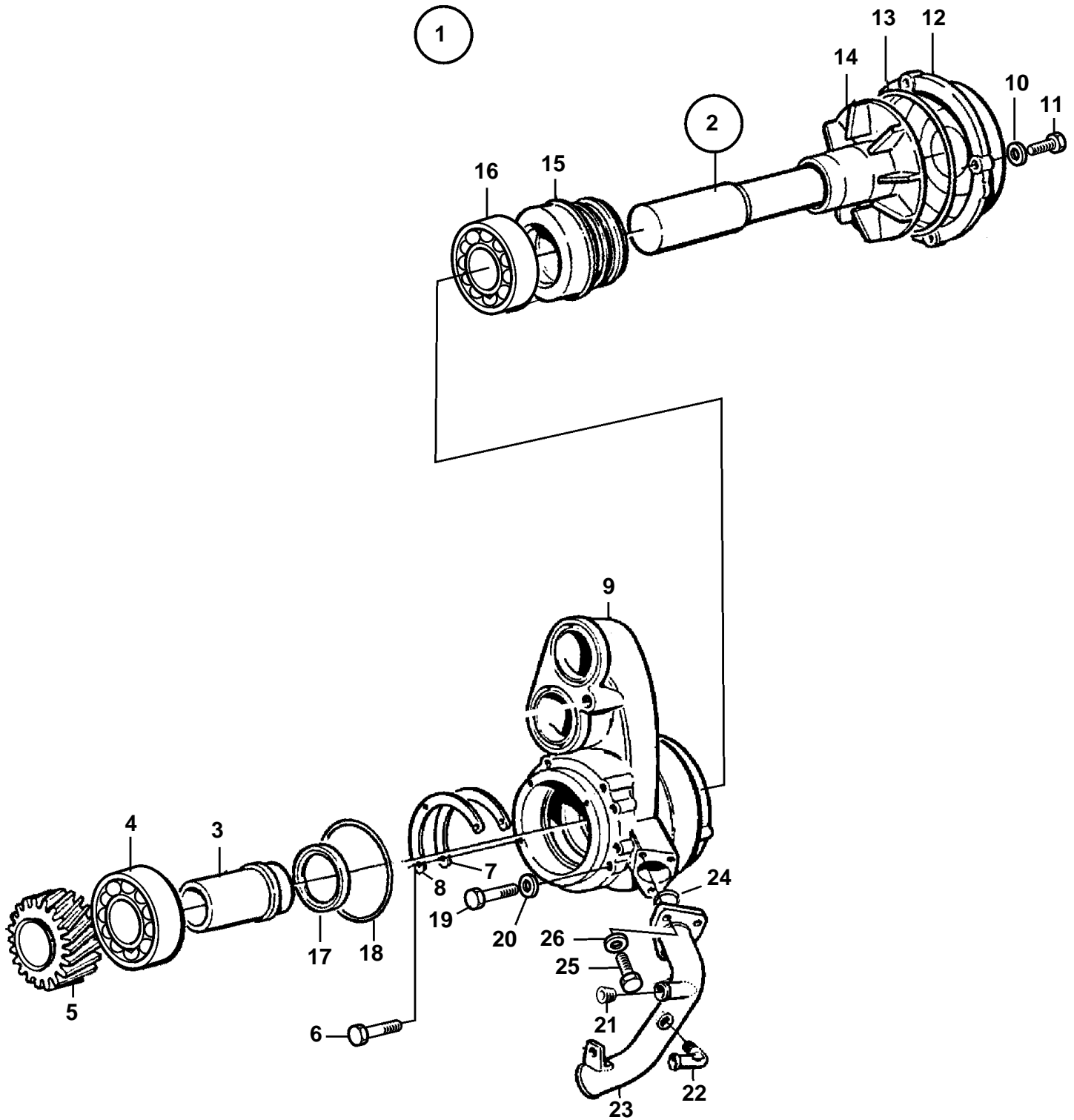


TAD1030G



19087

TAD1030G

| REF | PART NO. | QTY | DESCRIPTION | SEE SEC. | NOTES |
|-----|----------|-----|---------------------|----------|----------------------------|
| 1 | 1675945 | 1 | Water pump | SO | SN-2100298820 |
| | 8149937 | 1 | Water pump | | SN2100298821- |
| | 20431484 | 1 | Circulation pump | | |
| | 3803537 | 1 | Circ. pump, exch | | Exchange unit |
| 2 | 3184813 | 1 | · Shaft | | |
| 3 | | 1 | · · Bearing spindle | | |
| 4 | 181286 | 1 | · Ball bearing | | |
| 5 | 470265 | 1 | · Gear | | |
| | | | · Bulletin 45-01 | 45-01-EN | Timing Gears, 71, 100, 121 |
| 6 | 940100 | 3 | · Screw | | |
| 7 | 1545359 | 1 | · Lock washer | | |
| 8 | 1545358 | 1 | · Lock washer | | |
| 9 | | 1 | · Pump housing | | |
| 10 | 941906 | 4 | · Spring washer | | |
| 11 | 955513 | 4 | · Screw | | |
| 12 | 469418 | 1 | · Cover | | |
| 13 | 925262 | 1 | · O-ring | | |
| 14 | 1675944 | 1 | · Impeller | | |
| 15 | 1676561 | 1 | · Sealing ring | | (1675943) |
| 16 | 184831 | 1 | · Ball bearing | | |
| 17 | 978293 | 1 | · Sealing ring | | |
| 18 | 948980 | 1 | O-ring | | |
| 19 | 955542 | 4 | Screw | | |
| 20 | 942336 | 5 | Spring washer | | |
| 21 | 479977 | 1 | Plug | | |
| 22 | | 1 | Elbow nipple | | |
| 23 | 866261 | 1 | Coolant pipe | | |
| 24 | 975673 | 1 | O-ring | | H=262mm |
| 25 | 955525 | 3 | Screw | | |
| 26 | 941907 | 3 | Spring washer | | |