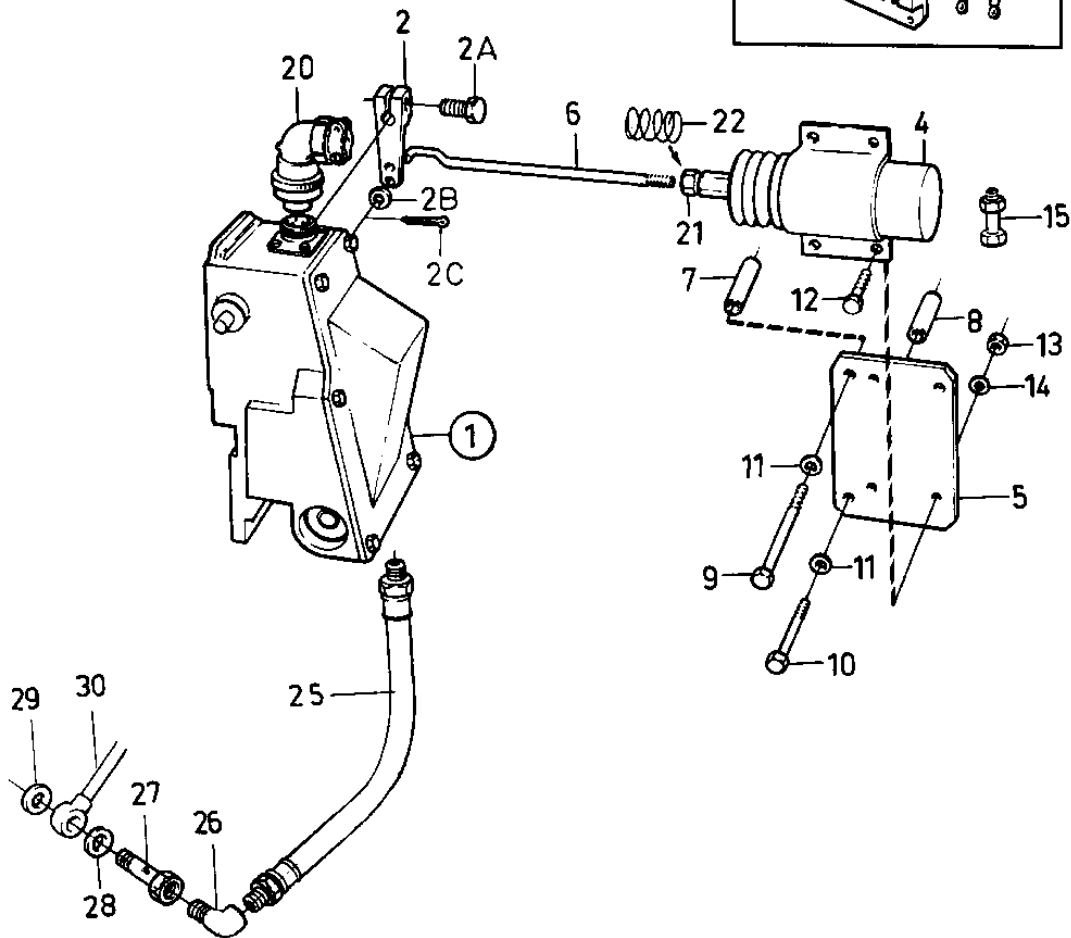
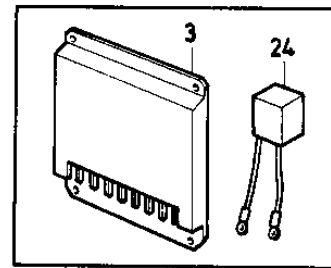
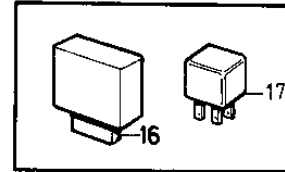
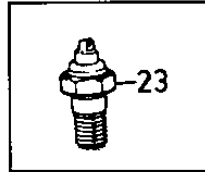
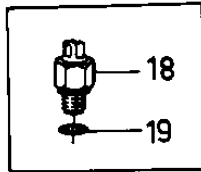


TD1010G, TWD1010G



TD1010G, TWD1010G

REF	PART NO.	QTY	DESCRIPTION	NOTES
1		1	Governor	SEE GROUP 23
2	846426	1	Lever	
2A	955637	1	Screw	
2B	955892	1	Washer	
2C	907824	1	Cotter pin	
3	881616	1	Control unit	
4	3826742	1	Control magnet kit	24V
5	846422	1	Bracket	
6	862307	1	Pull rod	
7	846424	1	Spacer sleeve	L=64mm
8	821539	1	Spacer sleeve	L=14mm
	846372	1	Sleeve	L=76mm
9	955542	1	Screw	L=83mm
10	942338	1	Screw	L=114mm
11	942336	2	Spring washer	
12	955270	4	Screw	
13	955781	4	Nut	
14	941906	4	Spring washer	
15		1	Cable union	
16	843910	1	Race gard	
17	1504951	1	Relay	
18	3013297	1	Tachometer sensor	
19	863604	1	Gasket	
20	3829259	1	Connector unit	
21	955782	1	Nut	
22	847009	1	Return spring	
23	863618	1	Impulse sensor	
24	849394	1	Transient protector, control unit	
	849395	1	Transient protector, stop solenoid	
25	1507501	1	Hose	
26	180110	1	Elbow nipple	
27	942008	1	Hollow screw	
28	969011	1	Gasket	
29	11998	1	Gasket	
30		1	Oil return pipe	SEE GROUP 23