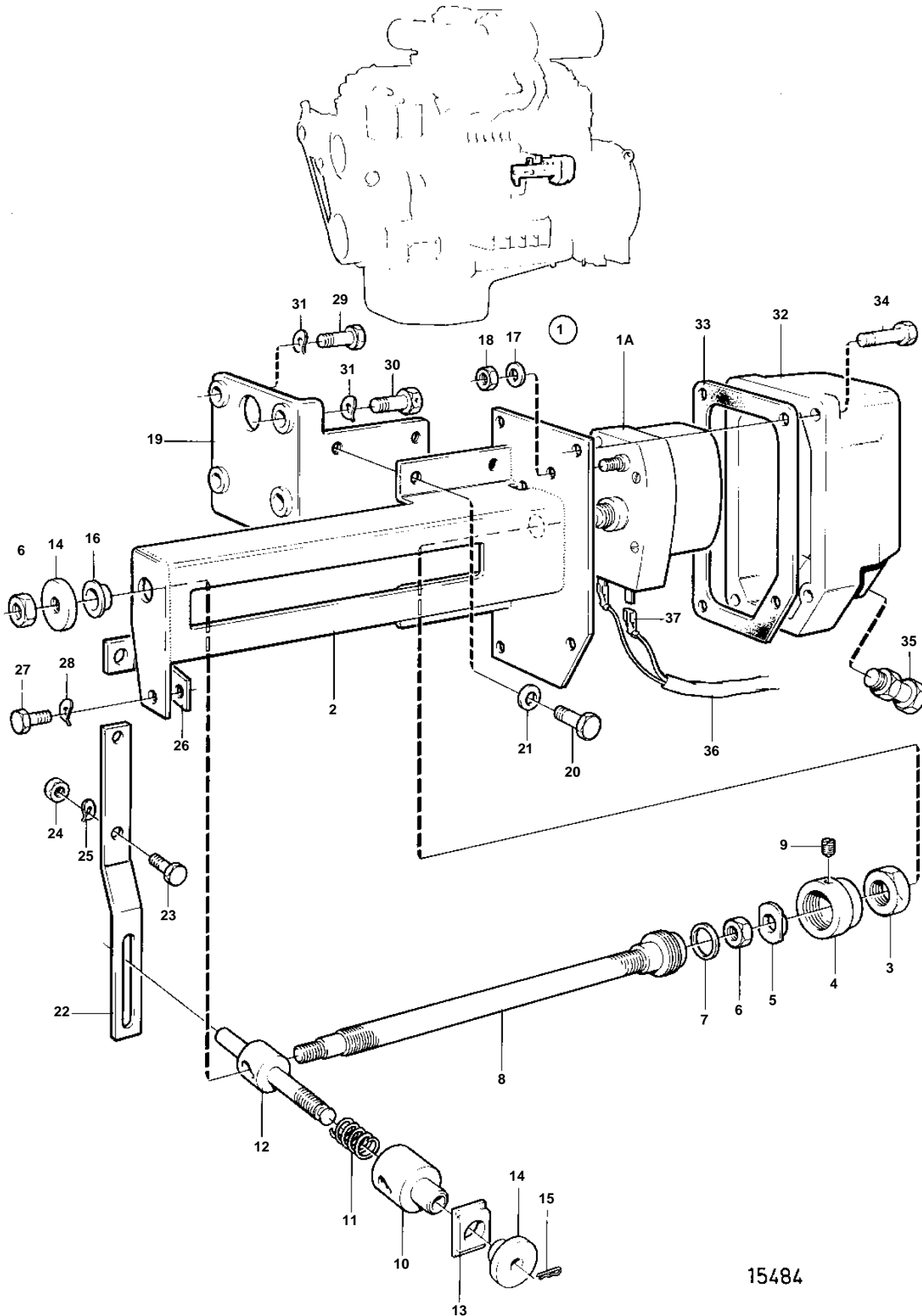


TD1010G



15484

TD1010G

REF	PART NO.	QTY	DESCRIPTION	SEE SEC.	NOTES
1	843793	1	Control motor		CMPL
1A	843794	1	· Control motor		When reconditioning or when the carbons are to be replaced, use carbon brush kit 876001.
2	843795	1	· Retainer		
3	9520607	1	· Nut		
4	843797	1	· Nut		
5	843798	1	· Companion flange		
6	955781	2	· Nut		
7	949938	1	· Spring washer		
8	843799	1	· Adjuster screw		
9	945647	1	· Screw		
10	843802	1	· Sleeve		
11	813945	1	· Spring		
12	843803	1	· Companion flange		
13	843804	1	· Guide		
14	843805	2	· Control button		
15	907824	1	· Cotter pin		
16	843806	1	· Bushing		
17	940090	1	· Washer		
18	955780	1	· Nut		
19	843807	1	Bracket		
20	955269	4	Screw		
21	941906	4	Spring washer		
22	843808	1	Lever		
23	955273	2	Screw		
24	955781	1	Nut		
25	941906	2	Spring washer		
26	843809	1	Attaching plate		
27	955269	1	Screw		
28	941906	1	Spring washer		
29	955274	3	Screw		
30	844540	1	Lock screw		
31	941906	4	Spring washer		
32	843889	1	Cover		
33	843890	1	Gasket		
34	955271	4	Screw		
35	881191	1	Cable union		
36		X	Electrical materials	1963	
37	881489	2	Cable terminal		